

LIQUID LEVEL SWITCH

Model L-30CR

COMPONENT RECOGNIZED ㄱㄴ/c ㄱㄴ (E85349)

Fortron® (PPS) Engineering Plastic
Available with Optional Filter Boot
For Use in Highly Particle Contaminated Liquids:

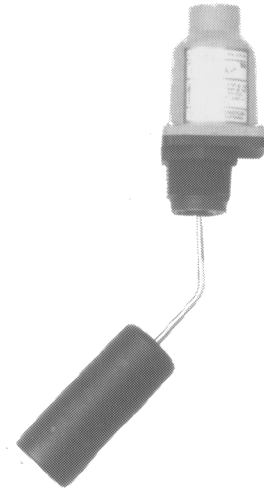
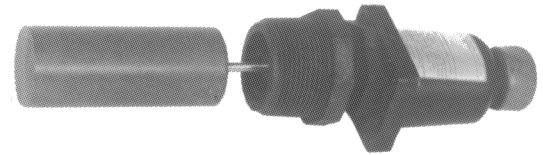
- Sewage
- Waste water
- Contaminated groundwater
- Machine cutting oils
- Medium slurries

Broad Spectrum Corrosive Liquids such as:

- Acid & base solutions
- Ferric Chloride
- Paper pulp liquor
- Crude Oil
- Acid mine water
- Benzene
- Acetic acid
- Aqueous Ammonia

Special Features:

- Corrosion resistance is provided by the wetting surface combination of (PPS), Hastelloy® C (Titanium, Tantalum special order) and Viton®.
- Particle contamination resistance is provided by a single convolute elast flexible seal which is continuously flushed by working fluid.
- SPDT 15 amp switching capacity model or Dry Circuit Computer/PLC int model.
- Intrinsically Safe Relay allows Model L-30CR to be used in hazardous an page 44)
- Temperatures to 200°F continuous.
- Pressures to 75 psig operating
- Pressures to 100 psig non-operating.
- Maintenance and checkout is a snap for your present personnel using an uncomplicated standard test meter.

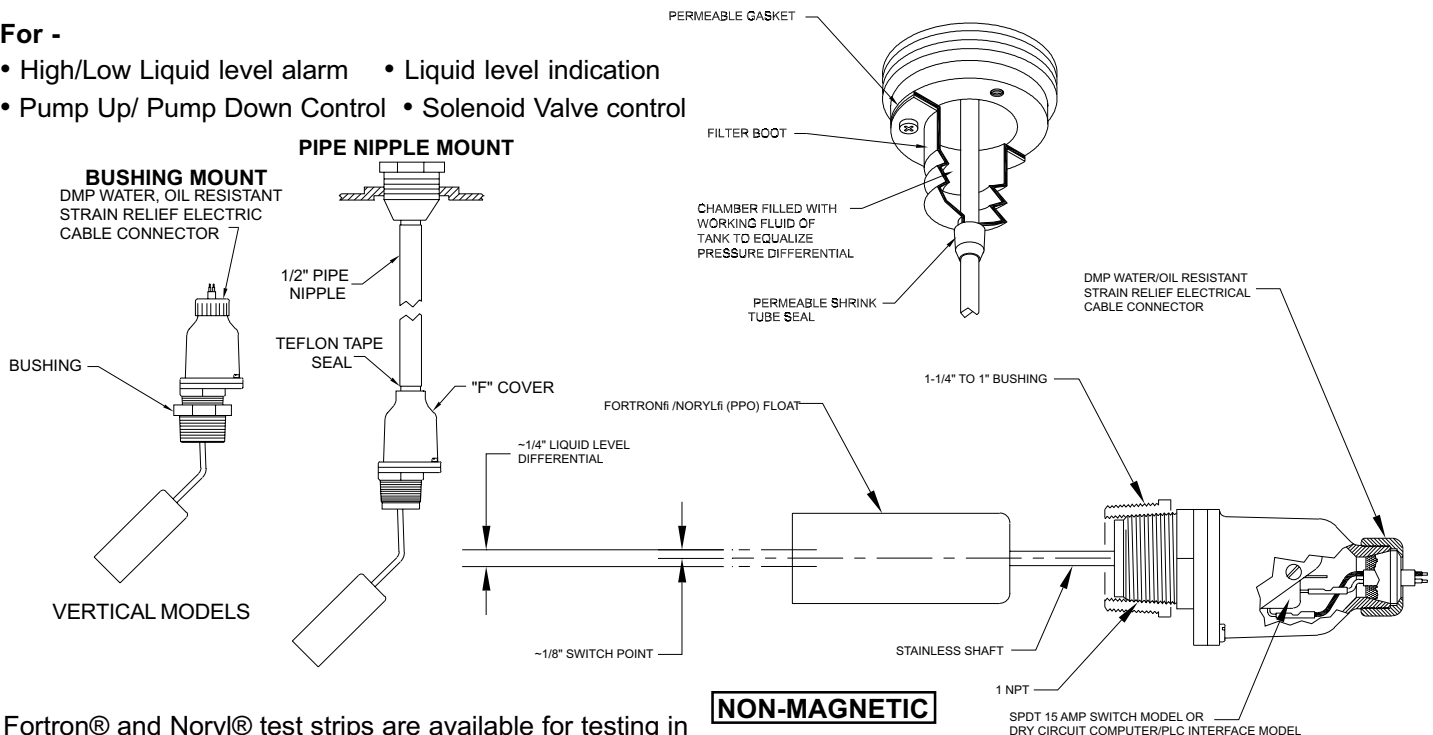


**VERTICAL MODEL
L-30CRV**

**BOTH HORIZONTAL & VERTICAL
MODELS ARE AVAILABLE WITH
DMP CABLE "F" COVER 1/2"
CONDUIT FITTING**

For -

- High/Low Liquid level alarm
- Liquid level indication
- Pump Up/ Pump Down Control
- Solenoid Valve control



- Fortron® and Noryl® test strips are available for testing in your particular chemical environment
- Extensive chemical corrosive list available (see page 50)

NON-MAGNETIC

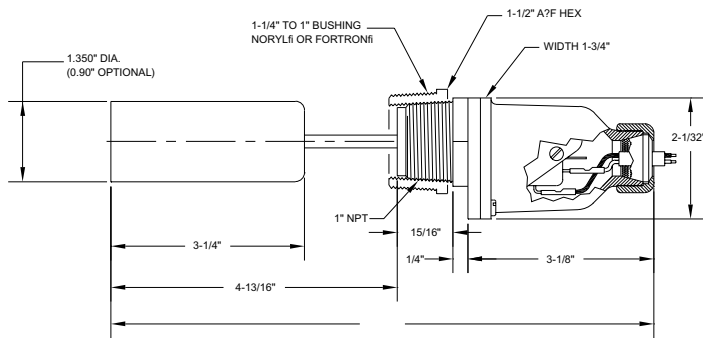
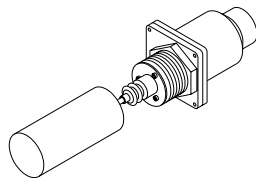
Limited Warranty Page 7

Specifications:

- **Model L-30CR**
- **Float and Body**
Fortron® PPS
- **Wetted Surfaces**
Fortron® PPS/Viton®/Hastelloy® C Standard
(Titanium/Tantalum special order)
- **Corrosion Resistance**
Determined by wetted surfaces listed above.
An extensive chemical corrosive list is available (See page 50)
- **Nominal working temperature & pressure**
Temperature (°F) 200 Max
Pressure (PSIG) 100 Max
- **Working Fluid Spec. Gravity**
0.7 min.
- **Weight: 1/2 lb**

Model L-30CR

- **Electrical Switch Characteristics**
SPDT UL and CSA listed
15 AMP, 1/2 HP @ 125 or 250 VAC
1/2 AMP @ 125 VDC, 1/4 AMP @ 250 VDC
5 AMP @ 125 VAC (Tungsten lamp load)
10,000,000 operations median.
- **SPDT-Dry Circuit UL & CSA Listed**
Gold Cross Bar Contacts for Computer/PLC Interface
1.0 AMP or less 5-24 VAC/DC
- **Liquid Level Change to Activate Switch:**
~1/4"
- **Installation Dimensions**

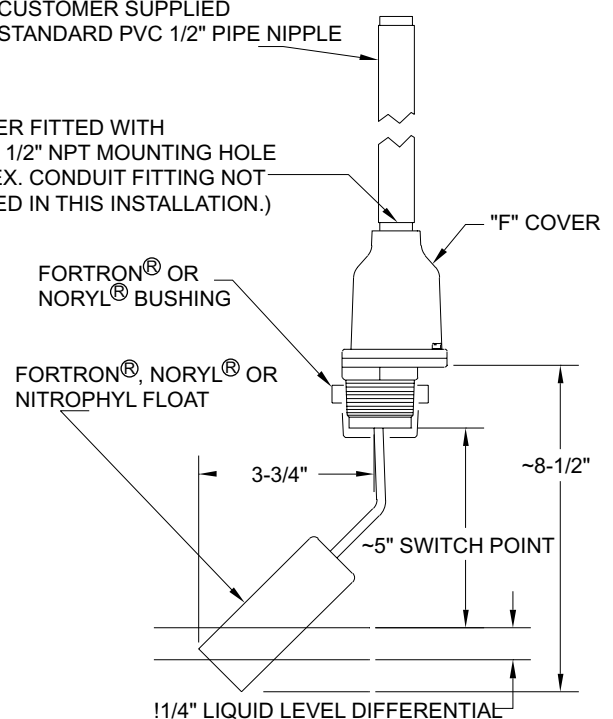


CUSTOMER SUPPLIED
STANDARD PVC 1/2" PIPE NIPPLE

"F" COVER FITTED WITH
FEMALE 1/2" NPT MOUNTING HOLE
(1/2" FLEX. CONDUIT FITTING NOT
INCLUDED IN THIS INSTALLATION.)

FORTRON® OR
NORYL® BUSHING

FORTRON®, NORYL® OR
NITROPHYL FLOAT



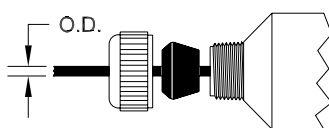
Option No. 1 Sample Part Number:
Basic Model #

Grommet Size

L-30CR / A

Body Material:
Fortron® PPS

Input Power Cable Interface Options



Grommet Size	Cable O.D.	Grommet Size	Cable O.D.
A	0.25 in.	B	0.37 in.
AA	0.30 in.	C	0.50 in.

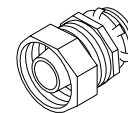
Option No. 2 Sample Part Number:
Basic Model #

1/2" Flexible
Conduit Fitting

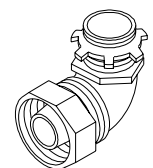
L-30CR / F

Body Material:
Fortron® PPS

1/2" STRAIGHT
F



1/2" 90°
F90°



- Installation drawing and a numbered parts list is supplied with each unit
- Current price information is listed on separate sheet
- Special one day delivery available