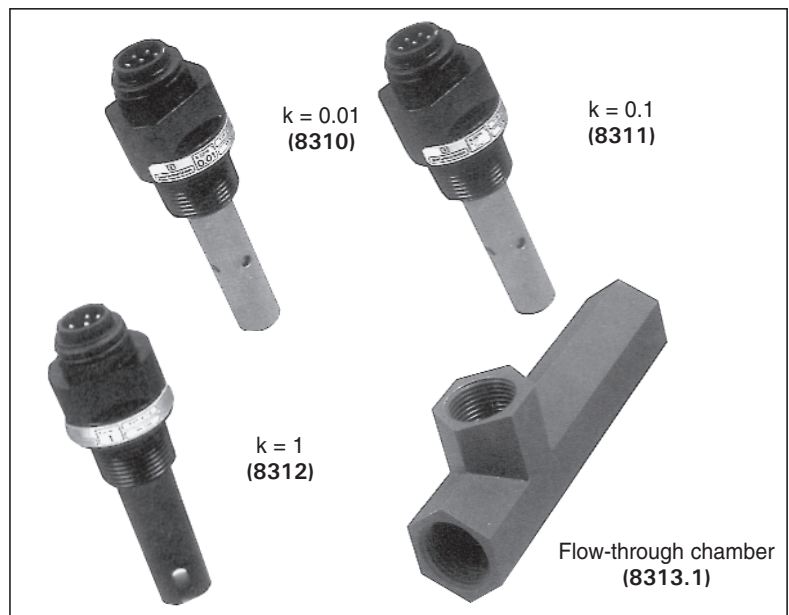


# Conductivity / Resistivity probes with two electrodes Models 8310, 8311, 8312



## Applications

- Drinking water and wastewater treatment
- Chemical processes
- Demineralized and softened water

## Advantages

- Mechanical and chemical strength,
- IP65 protection of connector,
- Small and compact sensor,
- Wide measuring range,
- Accuracy tests according to ISO 7888 and ASTM D 1125,
- Quick response time,
- Built-in temperature sensor (Pt 100).

## Polymetron SA International Headquarters

33, rue du Ballon  
93165 Noisy-le-Grand cedex  
France  
Tel : (33) 1 48 15 80 80  
Fax : (33) 1 48 15 80 00  
info@polymetron.com

### Belgium

Lange Group  
Ragheno Business Center 2  
Motstraat 54  
B-2800 Mechelen  
Tel. : (32) 15 42 35 00  
Fax : (32) 15 41 61 20

### Netherlands

Lange Group  
Laan van Westroijen 2a  
NL-4003 AZ Tiel  
Tel. : (31) 344 63 11 30  
Fax : (31) 344 63 11 50

### Spain

Lange Group  
C/ Araba 45  
Apdo, 220  
Zarautz 20800  
Tel. : (34) 943 89 43 79  
Fax : (34) 943 130 241

### United Kingdom

Dr Lange UK  
Lennox Rd  
Basingstoke, Hampshire  
RG22 4AP  
Tel. : (44) 1 256 33 3403  
Fax : (44) 1 256 633 0724

### India

Forbes  
A 34/35, MIDC Estate  
"H" Block  
Pimpri, Pune 411 018  
Tel. : (91) 212-770-171  
Fax : (91) 212-777-049

### USA

Astro / Polymetron  
Associated with Hach Co.  
P.O. Box 389  
Loveland, Colorado  
USA 80539-0389  
Tel. : (1) 800 227 2648  
Fax : (1) 970 461 3920

### Italy

Dr Bruno Lange srl  
Via Riccione, 14  
20156 Milano MI  
Tel. : (39) 02 39 23 14 1  
Fax : (39) 02 39 23 14 39

[www.polymetron.com](http://www.polymetron.com)

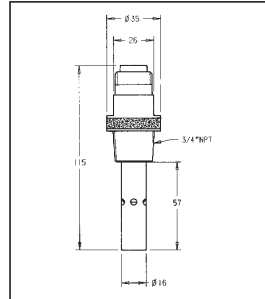
This publication is not intended to form the basis of a contract and the company reserves the right to amend the design and specifications of the instruments without notice.

Distributor

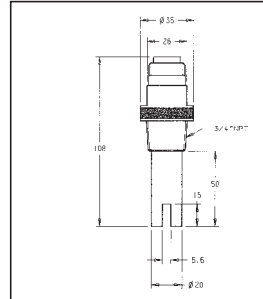
TE 8310=A=100 - Rev. D - FR. 50622048726



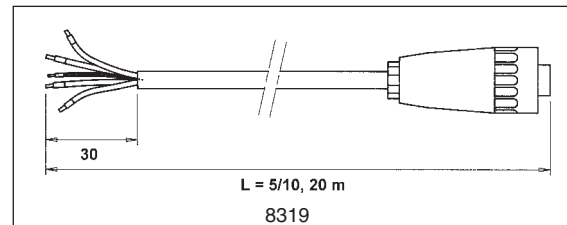
## Specifications



8310 (k = 0.01) - 8311 (k = 0.1)

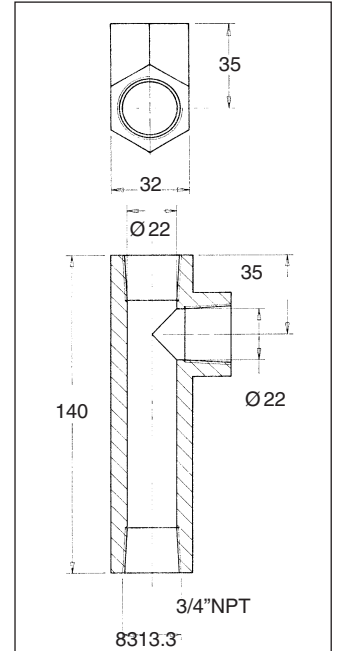


8312 (k = 1)



L = 5/10, 20 m

8319



8313.3

| Model               | 8310 / 8311                 | 8312                   |
|---------------------|-----------------------------|------------------------|
| Part number         | 08310=A=0000 - 08311=A=0000 | 08312=A=0000           |
| Sample :            | 125°C at 10 bar             |                        |
| T. Max              | 10 bar at 125°C             |                        |
| P. Max              | in 3/4" NPT threading       |                        |
| Mounting            |                             |                        |
| Material            |                             |                        |
| Body (upper part)   | black PSU                   | black PSU              |
| Internal electrode* | SSt 316L                    | Graphite               |
| External electrode* | SSt 316L                    | Graphite               |
| Insulator*          | PSU                         | PSU                    |
| Connector           | Glass Polyester / IP65      | Glass Polyester / IP65 |

\* Part in contact with fluid

### Measuring range

| Cell constant (k) | 9125 transmitter   | 8920/8964/8964 transmitters |
|-------------------|--------------------|-----------------------------|
| 0,01 cm           | 0.01µS/cm-200µS/cm | 0.01µS/cm-100µS/cm          |
| 0.1 cm            | 0.1µS/cm-2mS/cm    | 0.1µS/cm-1mS/cm             |
| 1 cm              | 1µS/cm-20mS/cm     | 1µS/cm-10mS/cm              |

Delivered with test certificate indicating the real value of the cell constant.

### Accessories

- Cables

| Model   | length     | part number  |
|---------|------------|--------------|
| 8319.5  | 5 m/16 ft  | 08319=A=0005 |
| 8319.10 | 10 m/33 ft | 08319=A=0015 |
| 8319.20 | 20 m/66 ft | 08319=A=0020 |

- Flow-through chamber

Part number : 08313=A=0001

Tmax. = 60°C, 2 bar (140°F, 29 psi)- Pmax. = 10 bar at 25°C (217.5 psi at 77°F)

Connections: 3/4" NPT - threading Material: PVC