

Inductive conductivity probe Model 8332



Applications

- conductivity and concentration measurement in hard conditions

Features

- No direct contact between the cell and the sample; possibility of probe contamination is minimal
- Extremely low maintenance
- Very large measuring range
- Accommodates different immersion depths
- Dimensions compatible with the Polymetron multi-electrodes 8330 and 8331.

Polymetron SA International Headquarters

33, rue du Ballon
93165 Noisy-le-Grand cedex
France
Tel : (33) 1 48 15 80 80
Fax : (33) 1 48 15 80 00
info@polymetron.com

Belgium

Lange Group
Ragheno Business Center 2
Motstraat 54
B-2800 Mechelen
Tel. : (32) 15 42 35 00
Fax : (32) 15 41 61 20

Germany

Dr Bruno Lange GmbH
& Co. KG
Prozeß-Meßgeräte /
Polymetron
Willstätterstrasse 11
D-40549 Düsseldorf
Tel. : +49 211-5288 156
Fax : +49 211 5288 171

India

Forbes
A 34/35, MIDC Estate
"H" Block
Pimpri, Pune 411 018
Tel. : (91) 212-770-171
Fax : (91) 212-777-049

Italy

Dr Bruno Lange srl
Via Riccione, 14
20156 Milano MI
Tel. : (39) 02 39 23 14 1
Fax : (39) 02 39 23 14 39

Netherlands

Lange Group
Laan van Westroijen 2a
NL-4003 AZ Tiel
Tel. : (31) 344 63 11 30
Fax : (31) 344 63 11 50

Spain

Neurtek M.A.
Lange Group
C/ Araba 45
Apdo, 220
Zarautz 20800
Tel. : (34) 943 89 43 79
Fax : (34) 943 130 241

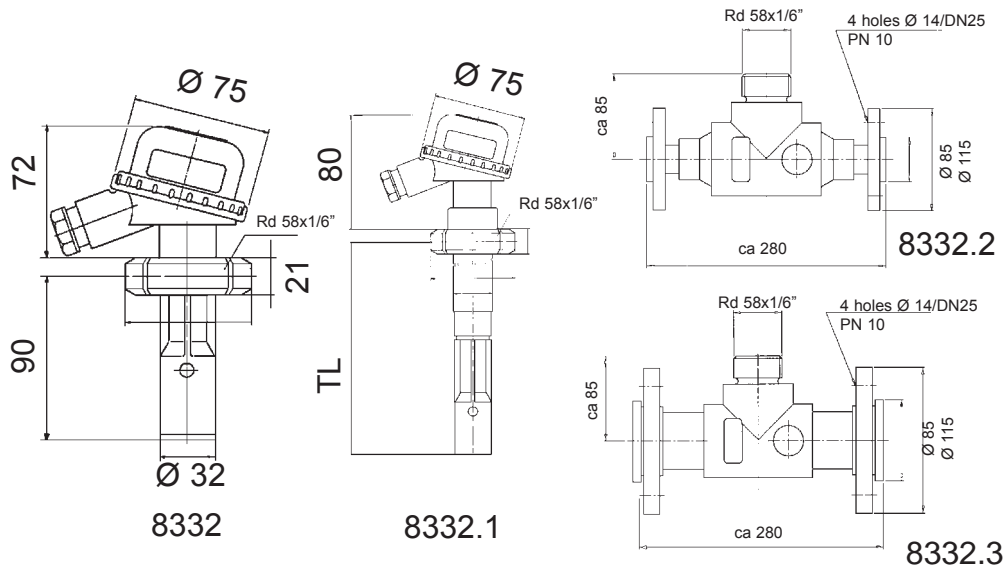
United Kingdom

Dr Lange (UK) Ltd
Lennox Rd
Basingstoke, Hampshire
RG22 4AP
Tel. : (44) 1 256 33 3403
Fax : (44) 1 256 633 0724

USA

Astro / Polymetron
Associated with Hach Co.
P.O. Box 389
Loveland, Colorado
USA 80539-0389
Tel. : (1) 800 227 2648
Fax : (1) 970 461 3920

Specifications



PROBE (MODEL)	8332	8332.1	8332.2	8332.3
length	90/98 mm	500 mm	1000 mm	1500 mm
part number	368 332,00000	368 332,00500	368 332,001000	368 332,001500
weight (g)	490	800	1100	1500
MATERIALS	Probe body Coupling nut Connector head Gasket Immersion shaft Thread	PVDF 1.4301 stainless steel Polycarbonate Viton PVDF Round thread Rd 58 x 1/6"		
ANALYSIS	Sample temperature Sample pressure	-20...+120°C 7.5 bar at 80°C max. 4.5 bar at 120°C max.		
SAMPLE	Cell constant (k) Temperature compensation Measuring range	10 cm -1 Pt100 100 µS/cm - 10 S/cm max.		
FLOW THROUGH ASSEMBLY	NW25/ND10 type material Weight Flange cable (type 2669) part number	NW50/ND10 363 371,00040 PVDF 1700 g 4 holes, PP with steel insert to connect the sensor to 8921 and 9125 transmitters 150 727,10000		

www.polymetron.com

This publication is not intended to form the basis of a contract and the company reserves the right to amend the design and specifications of the instruments without notice.

Distributor

TE 8332=A=100 - Rev. D - FR. 50622048726

