

Multi-parameter Controller PCX

Web
enabled

- Turbidity
- pH
- Conductivity
- Temperature
- Residual Chlorine
- Dissolved Oxygen



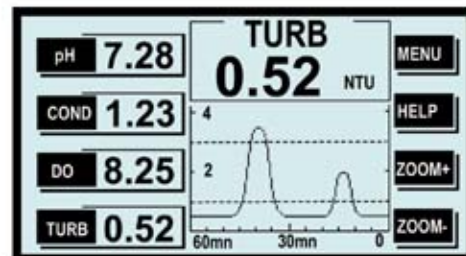
- Modular system, from 1 to 8 parameters
- Multi-language with Touch screen technology
- Trend Graph with scale from 1 hour to 1 month
- 4 programmable alarm contacts with hysteresis band and delay
- Datalogging with optional RS232 download
- Optional RS485 interface with MODBUS protocol
- Optional Ethernet interface with Web server

Multi-parameter Controller Pcx

Concept

Build around a powerful 32-bit microprocessor, the PCX controller provides all the facilities required on a multi-channel instrument:

- Graphic display of the measurements
- Menu-driven calibration functions
- Data logging over several weeks
- RS232/RS485 communication
- Web server module with Ethernet interface for connection to any remote browser



With multiple configurations, applications covers mainly:

- Drinking water treatment plants
- Food industry
- River monitoring

Pulsed infrared turbidity probe



Using a high power infra-red light emitting diode (LED) for sensitivity and stability, this probe is specially designed for low range turbidity from 0.01 to 100 NTU.

All the elements are accessible in a few seconds for an easy maintenance or calibration.

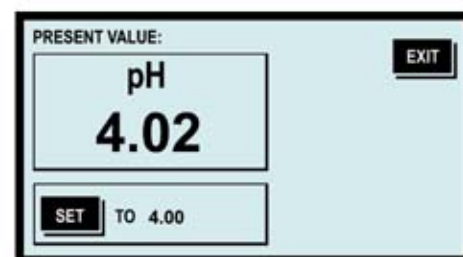
Operating at 880 nm and detecting the scattered light at 90°, the probe meets the ISO7027 criteria.

Menu-driven calibration

For a secured and easy re-calibration of the probes, the operator is fully assisted by menu-driven functions.

Different calibrations functions are available:

- On-line calibration according to a reference or laboratory measurement if the process can't be interrupted.
- Zero or low point calibration



- Full scale calibration with a standard

Modular configuration

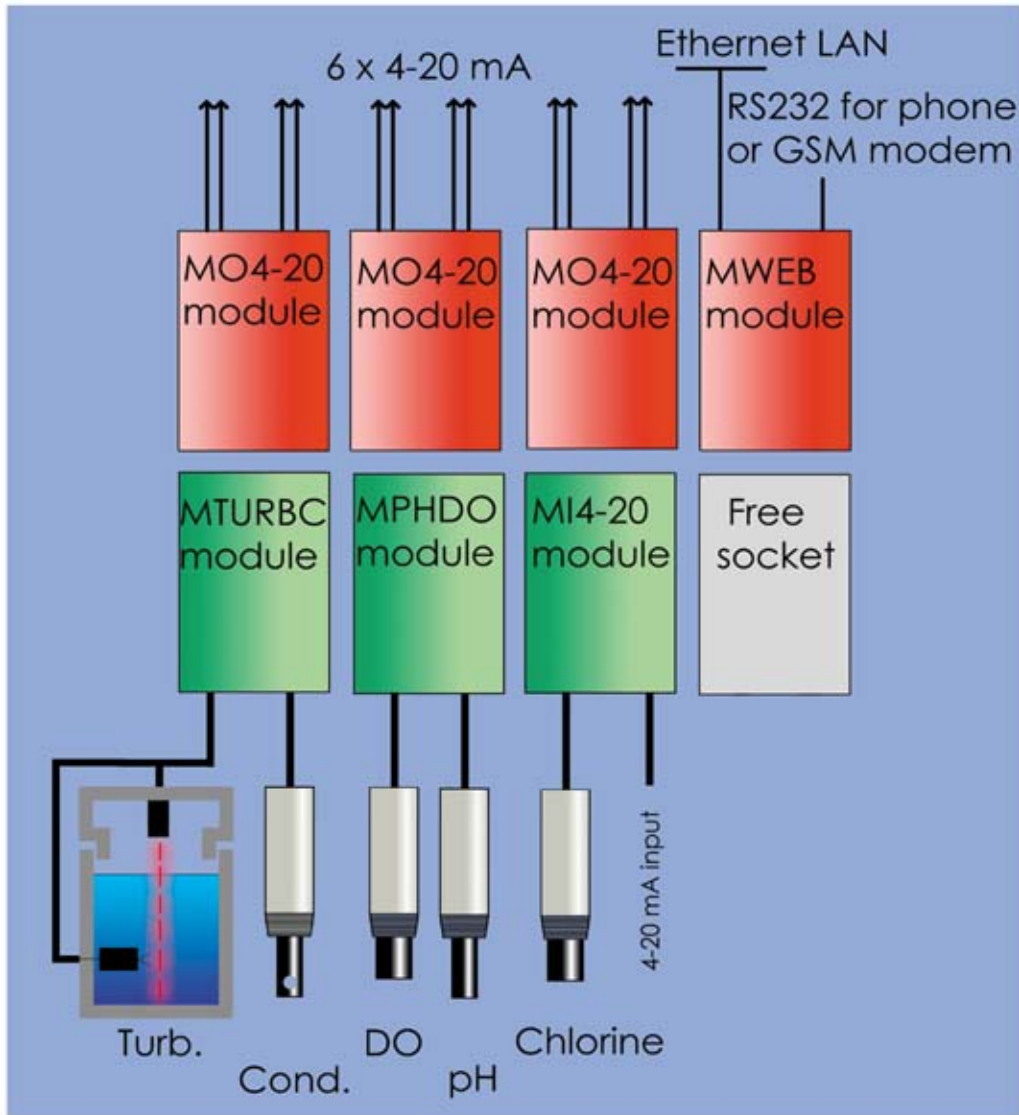
Based on a modular concept for inputs and outputs, all kind of configurations can be selected to fit with the application.

The 4 input sockets can receive any input module: Turbidity-conductivity, pH-DO and dual 4-20 mA inputs for conditioned probes (chlorine, ozone, chlorine dioxide) or level probes.

Any change in the configuration is automatically detected on power-up and a configuration screen helps the operator to set-up the new channel.

The figure below shows a typical six parameters configuration as example.

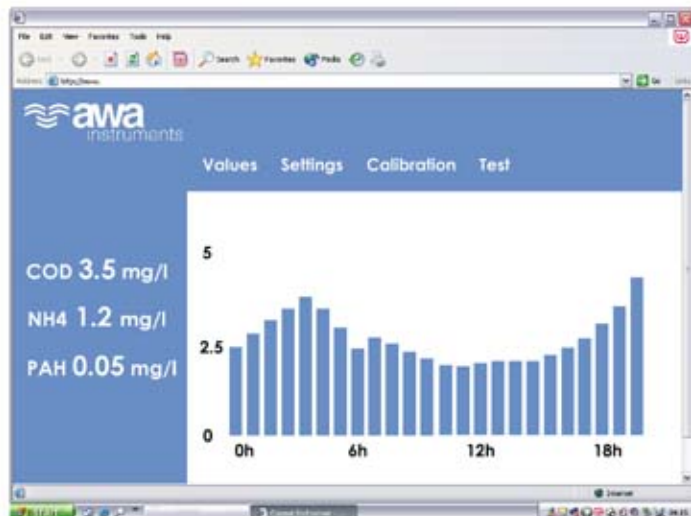
Multi-parameter Controller Pcx



Typical six parameters configuration

The new web server module enables the connection of the Pcx to an Ethernet LAN or to a phone/GSM/CDMA modems under PPP and FTP transfer protocols.

Measurements reading, trend graph, essential parameters and diagnostic functions become now accessible from anywhere though Internet.



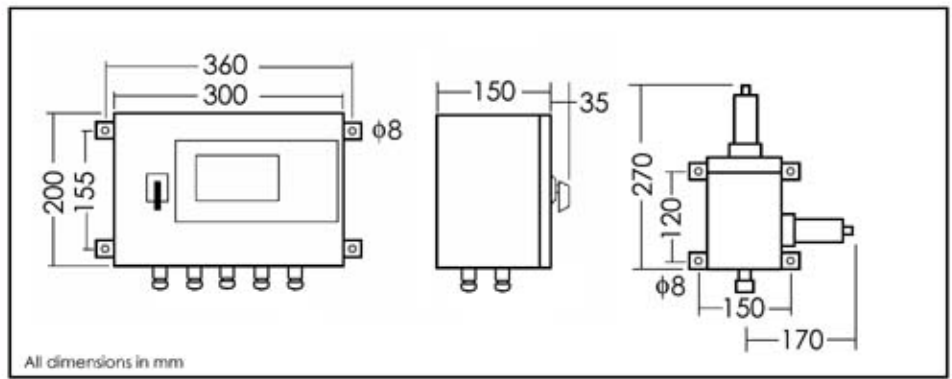
E-mail and SMS may be send to a list of users in case of alarm on any channel.

For local process control, 4-20 mA output and alarm relays are available.

A RS485 module enables the reading of the measurements through MODBUS protocol.

Web server Module & Connectivity

Multi-parameter Controller PCX



	Turbidity	pH	Cond.	Temp.	Chlorine	DO
Range	0-100 NTU	0-14	0-2000 μ S*	0-50 °C	0-2 mg/l*	0-20 mg/l
Resolution	0.01 NTU	0.01	0.01 μ S	0.1 °C	0.01 mg/l	0.01 mg/l
Accuracy	+/- 2%	+/- 0.01	+/- 1%	+/- 0.2 °C	+/- 5%	+/- 5%

* other ranges on request

ATC input	RTD Pt100 Ohm or Pt1000 Ohm
Analog output	4-20 mA opto-isolated, 12-bit resolution, 500 Ohm max, active
Alarm output	4 relay contacts NO, programmable, with hysteresis band and delay
Communication	RS232 - No specific software required, data compatible with Excel® RS485 - MODBUS protocol Ethernet - Web server, FTP protocol
Display	240 x 128 pixels LCD with backlight
Power supply	110-130 V or 220-240 V / 30 VA / 50-60Hz - Internal voltage selector or 12 V DC, 0.6 A
Operating limits	0 to 50°C
CE standards	Electromagnetic compatibility EN50081-2, EN50082-2, EN55011
Enclosure	IP65 / Nema 4X, coated steel for indoor use only
Dimensions	300 x 200 x 150 mm WxHxD (controller only)
Weight	5 kg (controller only)

Ordering reference: PCX/TURB/PH/COND/TEMP/CL2/DO

TURB: turbidity probe (with MTURBC module)

PH: pH (with MPHDO module)

COND: conductivity probe (with MTURBC module)

TEMP: temperature from other probe (with MTURBC or MPHDO module)

CL2: residual chlorine (with MI4-20 module)

DO: dissolved oxygen (with MPHDO module)

 **awa**
instruments

www.awa-instruments.com

Represented by:

Pryde Measurement Pty Ltd
Unit 2, 615 Warrigal Road
Ashburton, Victoria 3147
Phone: 03 9567 0777
Fax: 03 9567 0799
<http://www.pryde.com.au>

Asia

Awa Instruments Pte Ltd
#06-06 Katong Centre
865 Mountbatten Road
Singapore 437844

Tel +(65) 6345 0455

Fax+(65) 6345 8411

sales@awa-instruments.com

Europe

Awa Instruments SAS
15 Chemin du Vieux Chêne
F-38240 Meylan ZIRST
France

Tel +(33)47641 8639

Fax +(33)47641 9227

sales@awa-instruments.com

North & South Americas

Awa Instruments Inc.
1410 Taschereau Blvd.
La Prairie, Quebec
Canada, J5R 4Z8

Tel +(1) 450 659 4567

Fax +(1) 450 444 3047

sales@awa-instruments.com