

HYGROFLEX1

THE INEXPENSIVE TRANSMITTER

INNOVATION IN HUMIDITY AND TEMPERATURE MEASUREMENT

- Measures relative humidity and temperature
- Hygromer® IN-1 humidity sensor
- Adjustable at 35 % / 80 %RH
- Two freely scalable analog voltage or current outputs
- USB service interface
- Small footprint
- Easy mechanical installation

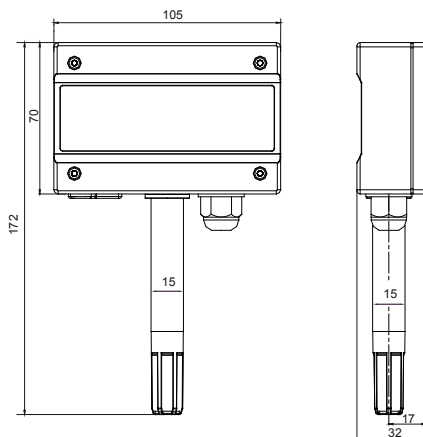


TECHNICAL INFORMATION

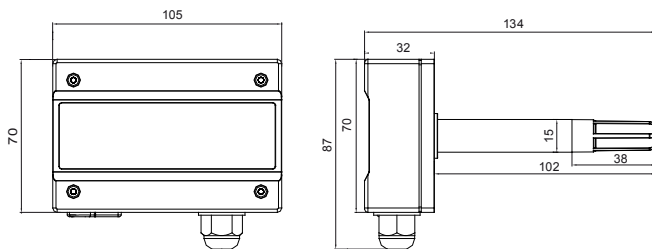
The HygroFlex1 series is the latest development in inexpensive HVAC transmitters for relative humidity and temperature. The devices are equipped with the tried-and-tested Hygromer® IN-1 sensor and boast unbeatable value for money. The optional ROTRONIC HW4 software enables you to change the scale and calibrate and adjust the transmitter.

Dimensions

Wall version (W)



Duct version (D)



General	
Transmitter type	3 / 4-wire
Supply voltage	12...28 VAC / 15...40 VDC
Current consumption	Transmitter with voltage output: < 15 mA Transmitter with current output: < 55 mA
Parameters	Humidity and/or temperature
Housing material / IP	ABS / IP65
Weight wall and duct versions	Approx. 140 g
Sensors integrated in device	Yes
Operating and measurement range	0...50 °C / 5...95 %RH
CE / EMC compatibility	2004/108/EC
Humidity measurement	
Humidity sensor	ROTRONIC Hygromer® IN-1
Accuracy at 23 °C ±5 K	< 3 %RH (10...90 %RH)
Long-term stability	< 1.5 %RH per year
Response time τ_{63}	30 s (63 % of a jump 35...80 %RH) without filter
Temperature measurement	
Sensor	Thermistor
Standard temperature scale	0...50 °C or 0...100 °F
Accuracy at 23 °C ±5 K	± 0.3 °K (0...50 °C)
Response time	4 s
Outputs	
Number	Two freely scalable analog outputs
Current	4...20 mA
Voltage	0...1/5/10 VDC

Would you like more information?

You can find a complete and up-to-date overview of the HygroFlex1 series on the internet at www.rotronic.com.

rotronic
MEASUREMENT SOLUTIONS

ROTRONIC AG, Grindelstrasse 6, CH - 8303 Bassersdorf, Tel. +41 44 838 11 11, Fax +41 44 836 44 24, www.rotronic.ch
ROTRONIC Instruments (UK) Ltd, Crompton Fields, Crompton Way, Crawley, West Sussex, RH10 9EE, UK, Phone +44 (0)1293 571000, Fax +44 (0)1293 571008, www.rotronic.co.uk
ROTRONIC Instrument Corp, 135 Engineers Road, Hauppauge, NY 11788, USA, Phone, +1 631 427-3898, Fax, +1 631 427-3902, www.rotronic-usa.com