

Model 25T Thru-Bore Encoder



Features

- 63.50mm Opto-Asic Encoder with a low profile (50mm)
- Bore Sizes Ranging From 0.50" to 28mm
- Resolutions to 10,000 PPR
- Versatile Flexible Mounting Options
- RoHS Compliant

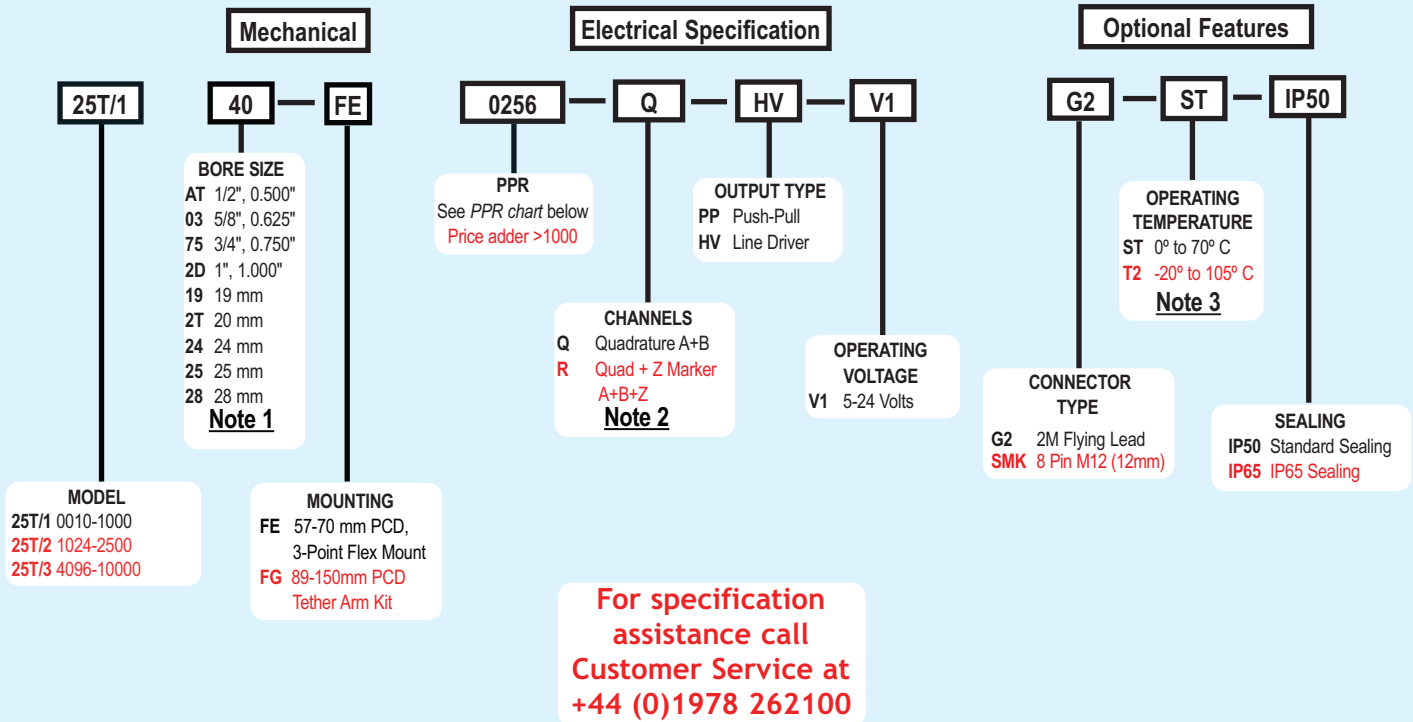
Introducing the next generation of high performance encoders - the Model 25T. As contemporary as its appearance, the Model 25T features the largest thru-bore available in a 63.50mm encoder, mounting directly on shafts as large as 28 mm. With resolutions of up to 10,000 PPR, and frequencies of up to 1MHz this industrial strength encoder is perfect for fast revving motors. The 25T features the next generation of proprietary Opto-ASIC sensor which provides superior accuracy and precision counts. The injection molded housing, made from a blend of nylon composites, is grooved with "cooling fins" and can take the extreme heat of the motion control industry. With sealing available of up to IP65 and many new rugged flexible mounting options, the Model 25T can perform in demanding industrial environments.

Common Applications

Motor-Mounted Feedback and Vector Control, Specialty Machines, Robotics
Web Process Control, Paper and Printing, High Power Motors

Model 25T Ordering Guide

Red type indicates price adder options. Not all configuration combinations may be available. Contact Customer Service for details.



Model 25T PPR Options

0010	0060	0100	0120	0240	0250	0256
0300	0360	0500	0512	0600	1000	1024
1200	2000	2048	2500	4096	5000	10,000

*Contact Customer Service For Availability

New PPR values are periodically added to those listed. Contact Customer Service to determine all currently available values. Special disc resolutions are available upon request and may be subject to a one-time NRE fee.

NOTES:

- 1 Contact Customer Service for additional options not shown.
- 2 Contact Customer Service for non-standard index gating.
- 3 With Input Voltage above 16 Vcc , Operating Temperature is limited to 85°C max.

Model 25T Thru-Bore Encoder



**BRITISH
ENCODER**
PRODUCTS COMPANY



Model 25T/H Specifications

Electrical

Input Voltage4.75 to 24 VCC max
 Input Current100 mA max (65 mA typical) with no output load
 Output FormatIncremental- Two square waves in quadrature with channel A leading B for clockwise shaft rotation, as viewed from the encoder mounting face. See *Waveform Diagrams* below.
 Output Types.....Push-Pull- 20 mA max per channel
 Line Driver- 20 mA max per channel (Meets RS 422 at 5 VCC supply)
 Index.....Once per revolution.
 361 to 10000 PPR: Gated to output A
 1 to 360 PPR: Ungated
 See *Waveform Diagrams* below.
 Freq. Response200 kHz standard (up to 1MHz)
 Noise ImmunityTested to BS EN61000-6-2; BS EN50081-2; BS EN61000-4-2; BS EN61000-4-3; BS EN61000-4-6; BS EN500811
 Symmetry180° (±18°) electrical
 Quad. Phasing90° (±22.5°) electrical
 Min. Edge Sep45° electrical
 Accuracy.....Within 0.1° mechanical or 6 arc-minutes from any other cycle

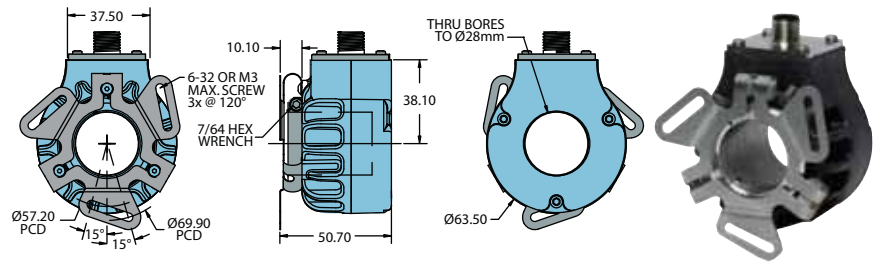
Mechanical

Max Shaft Speed.....6000 RPM.(4000 RPM for IP65)
 Bore Size0.50" through 28 mm
 Bore ToleranceH7 (Sliding fit for g6)
 User Shaft Tolerances
 Radial Runout.....0.10mm max
 Axial Endplay±0.75mm max
 Starting Torque.....IP50 Thru-Bore: 7.0×10^{-3} Nm
 IP65: 28.0×10^{-3} Nm
 (Note: Add 7.0×10^{-3} Nm for 20°C Operation)
 Max Acceleration..... 1×10^5 rad/sec²
 Electrical Conn2M cable (foil and braid shield, 24 AWG conductors), 8-pin M12 Eurofast
 Mounting.....57.15mm to 69.85mm PCD 3-Point Flex Mount
 Tether Arm Kit 88.90mm to 150mm PCD
 (See mechanical drawings for dimensions)
 Weight400 grams typical

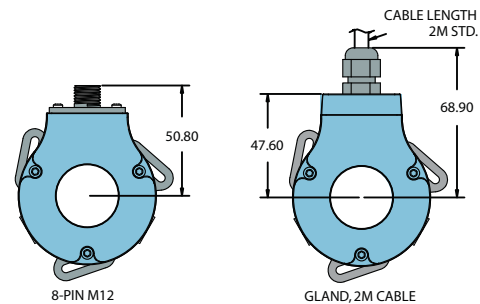
Environmental

Operating Temp.....-20° to +85° C standard models
 -20° to +105° C for high temperature option
 Storage Temp.....-25° to +85° C
 Humidity.....98% RH non-condensing
 Vibration20 g @ 5 to 2000 Hz
 Shock.....80 g @ 11 ms duration
 Sealing.....IP50 standard; IP65 with Seals

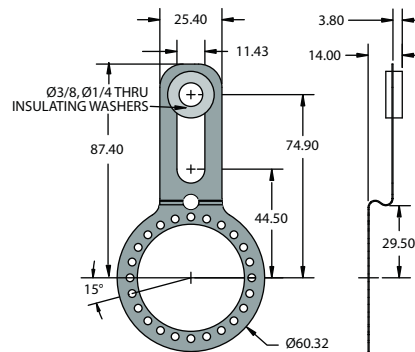
Model 25T



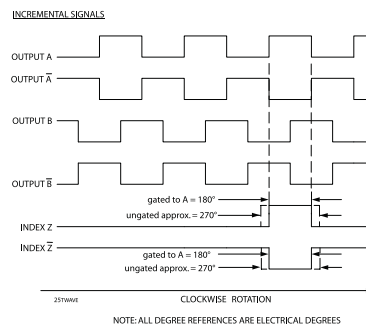
Model 25T Connector Options



Model 25T Tether Arm Kit



Waveform Diagrams



Wiring Table

Function	Cable Wire Color	8-pin M12**
Com	Black	7
+VDC	White	2
A	Brown	1
A'	Yellow	3
B	Red	4
B'	Green	5
Z	Orange	6
Z'	Blue	8
Shield	Bare *	--