

Model 744 Heavy Duty 444 Tacho Style



Features

- Standard "444" Style, 115mm Diameter
- Up to 30,000 PPR
- Choice of Shaft Sizes
- IP64 Sealing Available

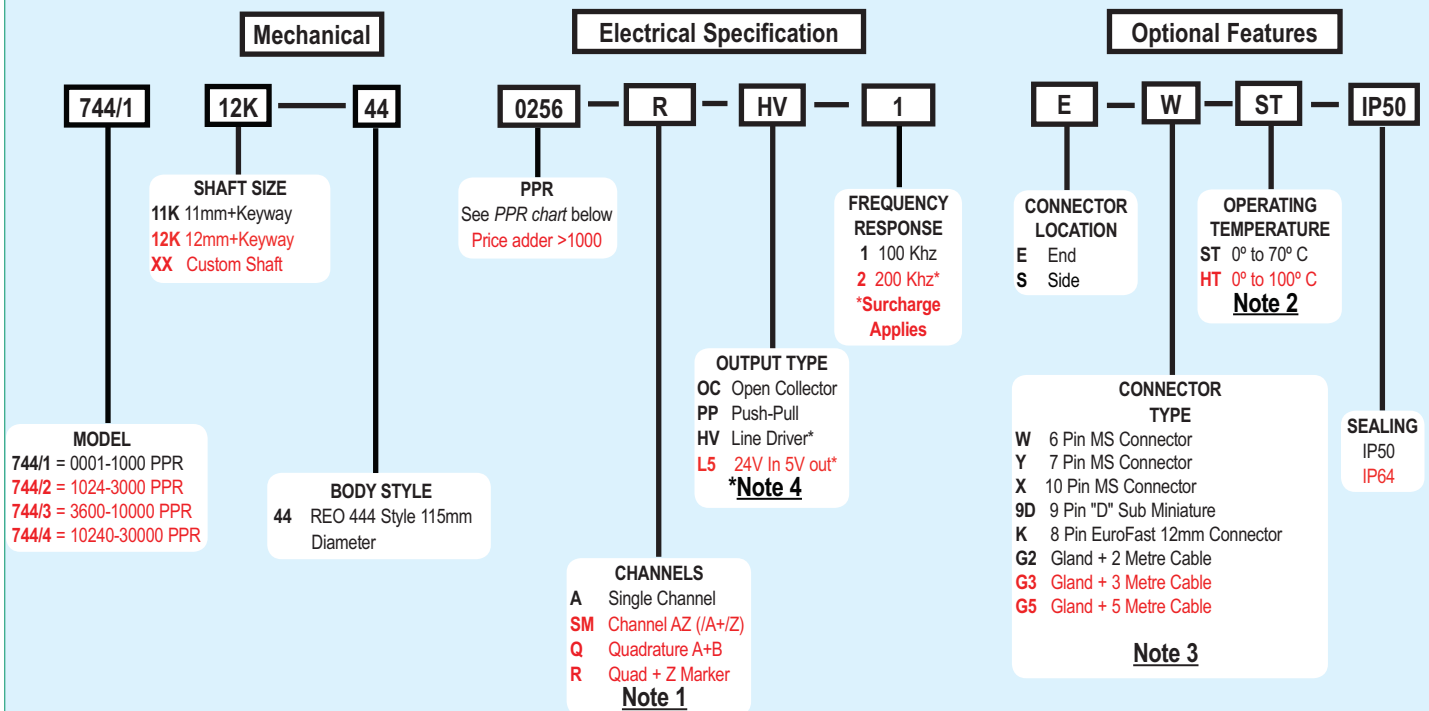
The 744 is designed to provide a digital encoder signal format to replace traditional Tacho style feedback devices. The heavy duty bearings and mechanical assembly make the 744 perfect for those applications requiring a rugged and dependable encoder.

Common Applications

Motion Control Feedback, Conveyors, Elevator Controls, Machine Control, Food Processing, Process Control, Robotics, Material Handling, Textile Machines

Model 744 Ordering Guide

Red type indicates price adder options. Not all configuration combinations may be available. Contact Customer Service for details.



Model 744 PPR Options

0001*	0002*	0004*	0005*	0006*	0007*	0008*	0010*	0011*
0012*	0014*	0020	0021*	0024*	0025*	0028*	0030*	0032*
0033*	0034*	0035*	0038*	0040*	0042*	0045*	0050*	0060
0064*	0100	0120	0125	0128*	0144*	0150*	0160*	0200
0240*	0250	0254*	0256*	0300	0333*	0360	0400	0500
0512	0600	0625*	0635	0665*	0720	0768*	0800	0889
0900*	1000	1024	1200 ^a	1201 ^{a*}	1203 ^{a*}	1204 ^{a*}	1250 ^a	1270 ^a
1440	1500	1800	2000	2048	2400 ^a	2500	2540 ^a	2880 ^a
3000 ^a	3600 ^a	4000 ^a	4096 ^a	5000 ^a	6000 ^a	7200 ^a	7500 ^a	9000 ^a
10,000 ^a	10,240 ^a	12,500 ^a	14,400 ^a	15,000 ^a	18,000 ^a	20,000 ^a	20,480 ^a	25,000 ^a
30,000 ^a								

* Contact Customer Service for High Temperature Option.

^a High Temperature Option (H) limited to 85° C maximum for these PPR options.

New PPR values are periodically added to those listed. Contact Customer Service to determine all currently available PPR values. Special disk resolutions are available upon request.

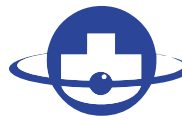
A one-time NRE fee may apply.

**For specification
assistance call
Customer Service at
+44 (0)1978 262100**

NOTES:

- 1 Contact Customer Service for index gating options.
- 2 24 VCC max for high temperature option.
- 3 For Non-Standard Cable Lengths Contact the sales office.
- 4 Marker not available with 6-pin or 7-pin MS connector & HV Output

Model 744 Heavy Duty 444 Tacho Style



**BRITISH
ENCODER**
PRODUCTS COMPANY



Model 744 Specifications

Electrical

Input Voltage4.75 to 24 VCC max for temperatures up to 70° C
 Input Current100 mA max with no output load
 Input Ripple100 mV peak-to-peak at 0 to 100 kHz
 Output FormatIncremental- Two square waves in quadrature with channel A leading B for clockwise shaft rotation, as viewed from the encoder mounting face. See *Waveform Diagrams* below.
 Output TypesOpen Collector- 50 mA max per channel
 Push-Pull- 20 mA max per channel
 Line Driver- 20 mA max per channel (Meets RS 422 at 5 VCC supply)
 IndexOccurs once per revolution. The index for units >3000 PPR is 90° gated to Outputs A and B. See *Waveform Diagrams* below.
 Freq ResponseUp to 200 KHz
 Noise ImmunityTested to BS EN61000-4-2; IEC801-3; BS EN61000-4-4; DDENV 50141; DDENV 50204; BS EN55022 (with European compliance option); BS EN61000-6-2; BS EN50081-2
 Symmetry1 to 6000 PPR: 180° (±18°) electrical at 100 kHz output
 6001 to 20,480 PPR: 180° (±36°) electrical
 Quad Phasing1 to 6000 PPR: 90° (±22.5°) electrical at 100 kHz output
 6001 to 20,480 PPR: 90° (±36°) electrical
 Min Edge Sep1 to 6000 PPR: 67.5° electrical at 100 kHz output
 6001 to 20,480 PPR: 54° electrical
 >20,480 PPR: 50° electrical
 Rise TimeLess than 1 microsecond
 AccuracyInstrument and Quadrature Error: For 200 to 1999 PPR, 0.017° mechanical (1.0 arc minutes) from one cycle to any other cycle. For 2000 to 3000 PPR, 0.01° mechanical (0.6 arc minutes) from one cycle to any other cycle. Interpolation error (units > 3000 PPR only) within 0.005° mechanical. (Total Optical Encoder Error = Instrument + Quadrature + Interpolation)

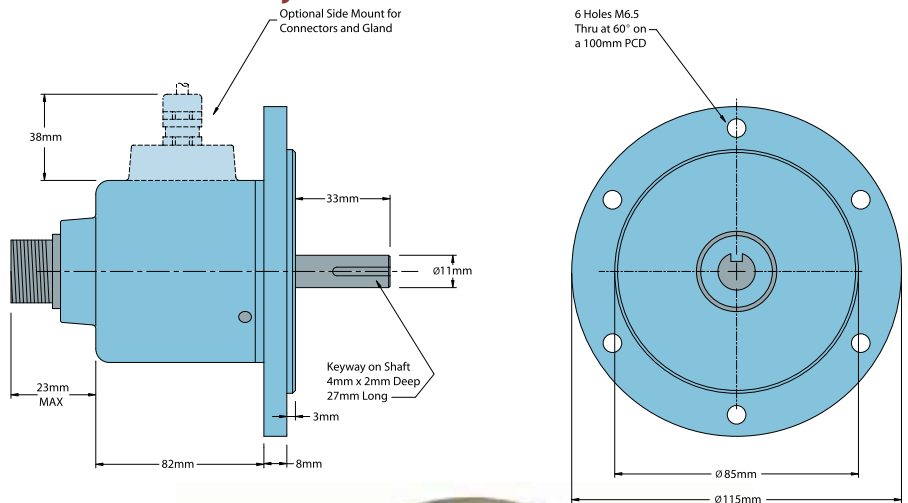
Mechanical

Max Shaft Speed6000 RPM. Higher shaft speeds may be achievable, contact Customer Service.
 Shaft SizeSee order code
 Shaft Material303 stainless steel
 Shaft RotationBi-directional
 Radial Shaft Load120N Operating
 Axial Shaft Load120N Operating
 Starting Torque7.0615 x 10⁻³ Nm typical with no seal
 2.118 x 10⁻² Nm typical with IP64 shaft seal
 Max Acceleration1 x 10⁵ rad/sec²
 Electrical Conn6-, 7-, or 10-pin MS Style, 8-pin M12 (12 mm), 9-pin D-subminiature, or gland with 2M of cable (foil and braid shield, 24 AWG conductors)
 HousingBlack non-corrosive finish
 BearingsPrecision ABEC ball bearings
 Mounting115/85mm, 6 x M6 @ 100mm PCD
 Weight600 gms typical

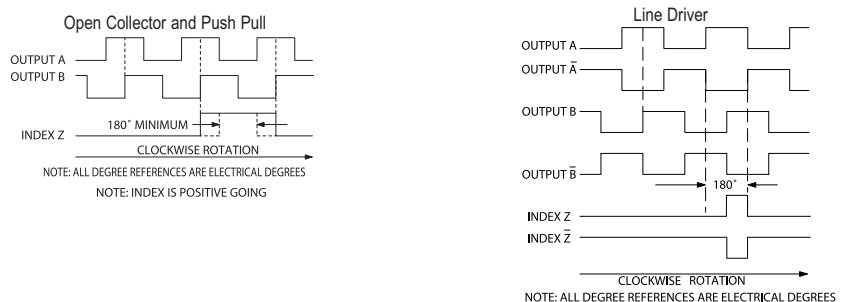
Environmental

Operating Temp0° to 70° C for standard models
 0° to 100° C for high temperature option (0° to 85° C for certain resolutions, see PPR Options.)
 Storage Temp-25° to +85° C
 Humidity95% RH non-condensing
 Vibration10 g @ 58 to 500 Hz
 Shock50 g @ 11 ms duration
 SealingIP50 standard, IP64 optional

Model 744 '444' Style 115mm Dia



Waveform Diagrams



Wiring Table

Function	Gland Cable Wire Color	8-pin M12 ²	10-pin MS	7-pin MS HV,L5	7-pin MS PP,OC	6-pin MS PP,OC	9-pin D-sub
Com	Black	7	F	F	F	F	9
+VDC	White	2	D	D	D	D	1
A	Brown	1	A	A	A	A	2
A'	Yellow	3	H	C	---	---	3
B	Red	4	B	B	B	B	4
B'	Green	5	I	E	---	---	5
Z	Orange	6	C	---	C	C	6
Z'	Blue	8	J	---	---	---	7
Case	---	---	G	G	G	---	8
Shield	Screen	---	---	---	---	---	---

CAUTION - Always check wiring colour code against Encoder Label due to changes in specification since September 2006