

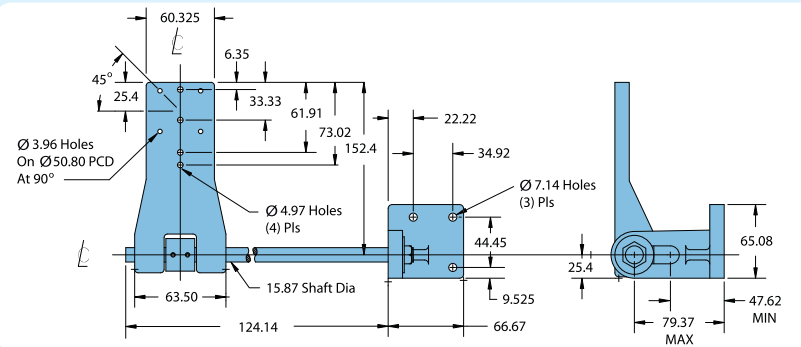
Accessories - Flanges & Mounting Brackets



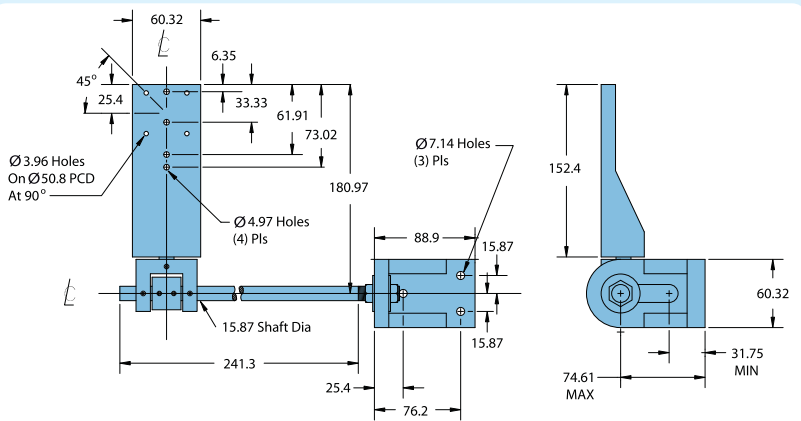
**BRITISH
ENCODER**
PRODUCTS COMPANY



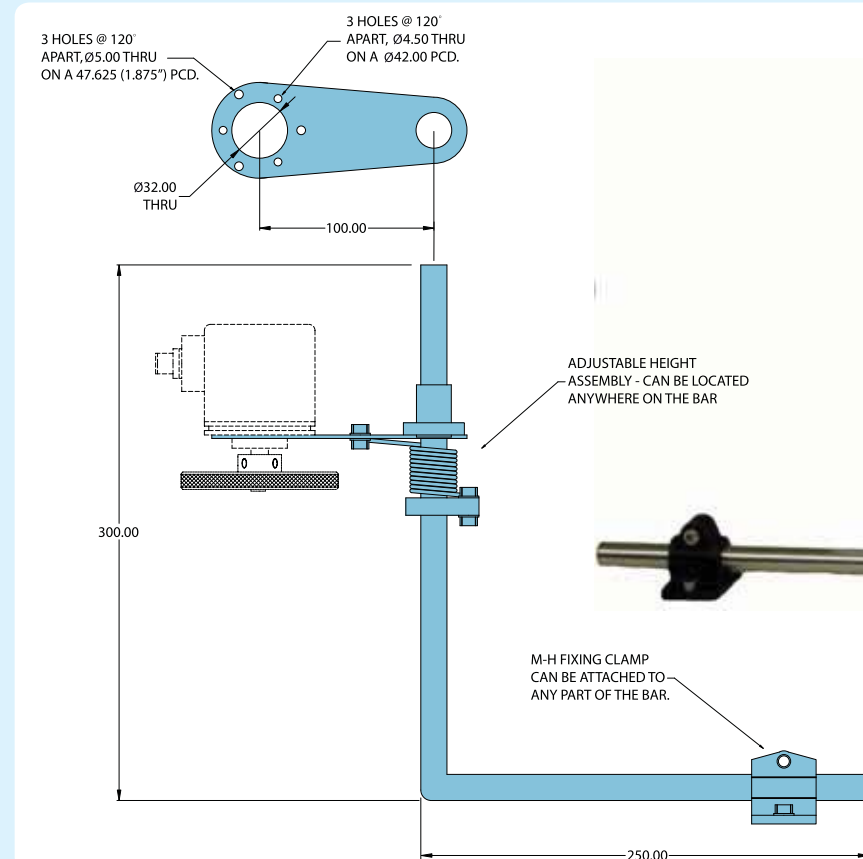
140039 Hinged Single Pivot Bracket



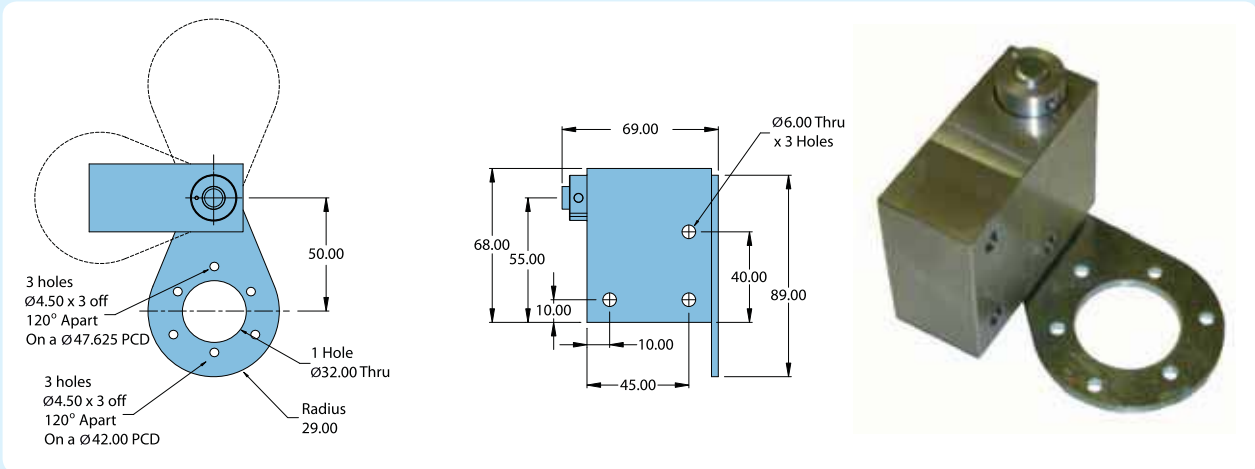
140040 Hinged Double Pivot Bracket



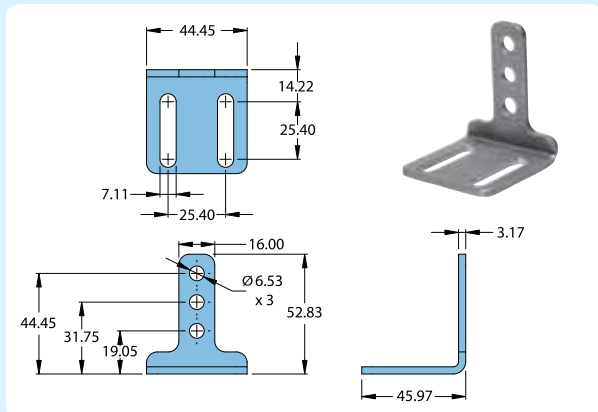
M-H Spring Loaded Bracket Arm Assembly



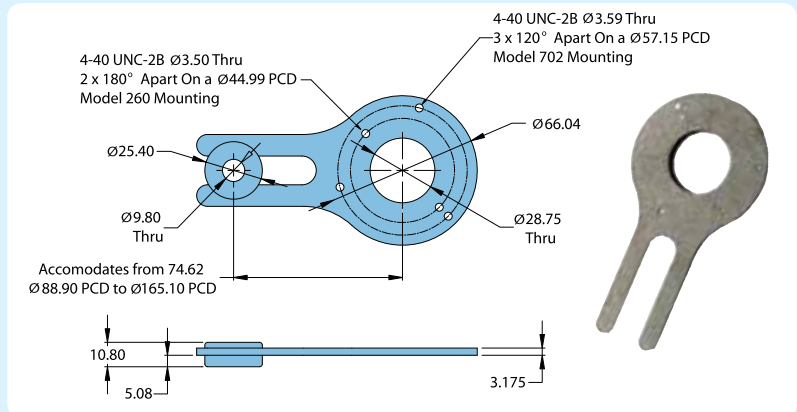
M-F Spring Loaded Pivot Block



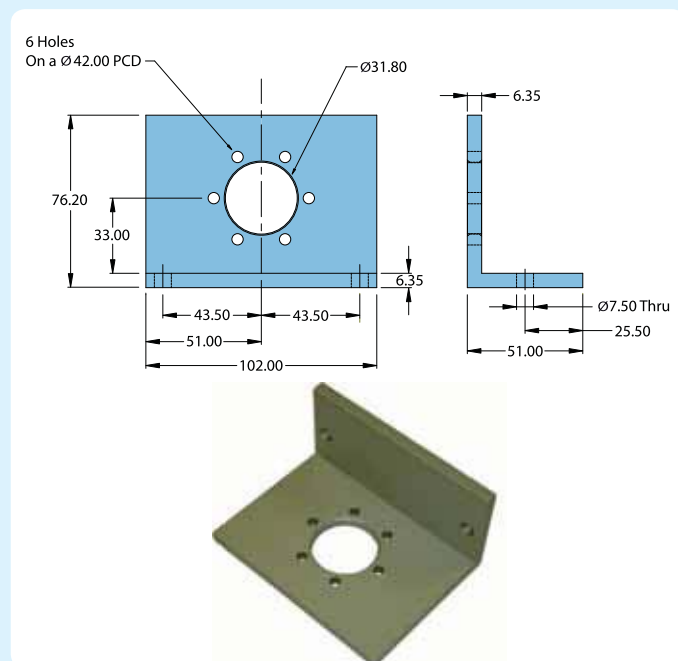
140104 - TR1 Mounting Bracket



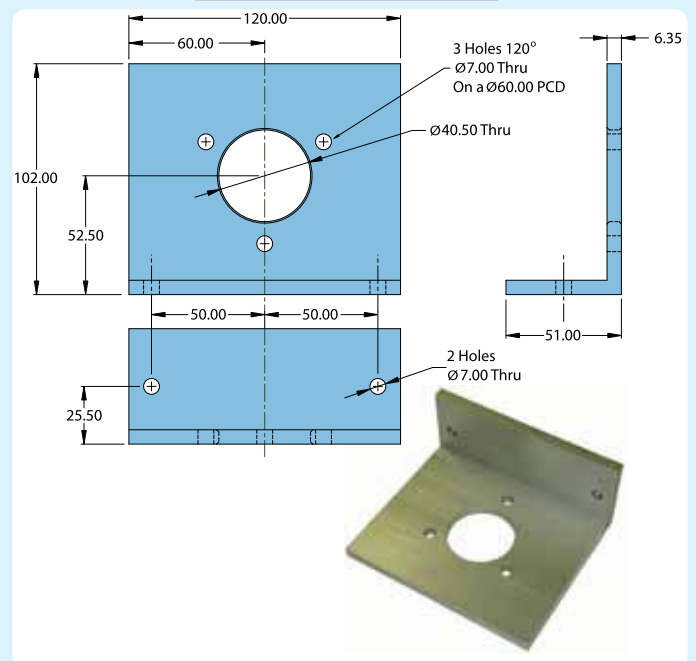
175997-1 - 260/702 Uni-Bracket



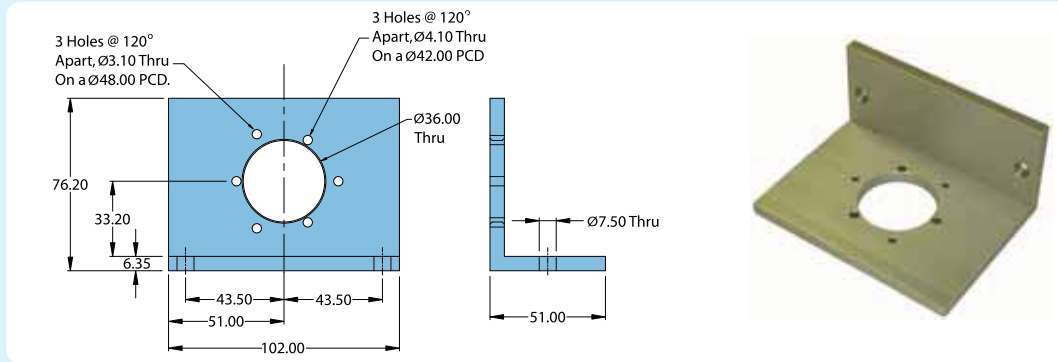
M-3 725/925 "L" Bracket



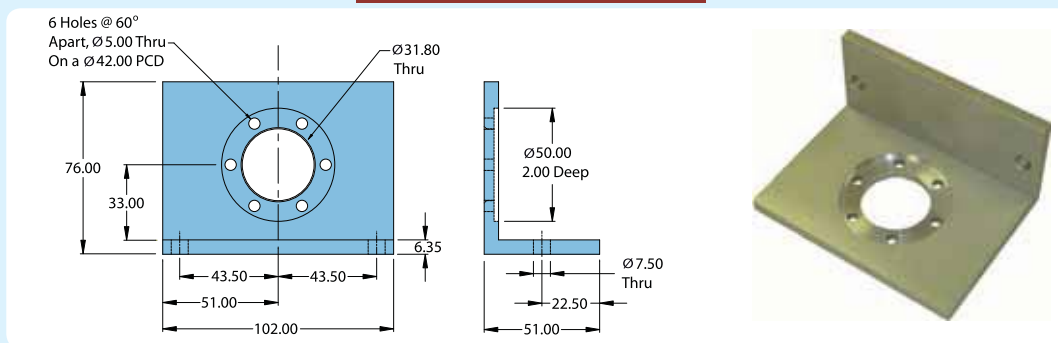
M-4 740 STD "L" Bracket



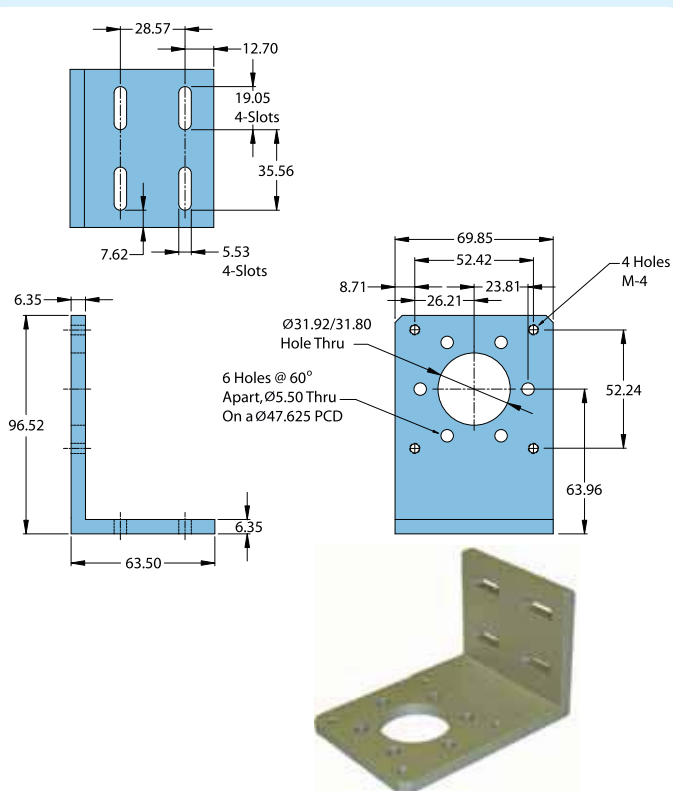
M-B 758/958-20 "L" Bracket



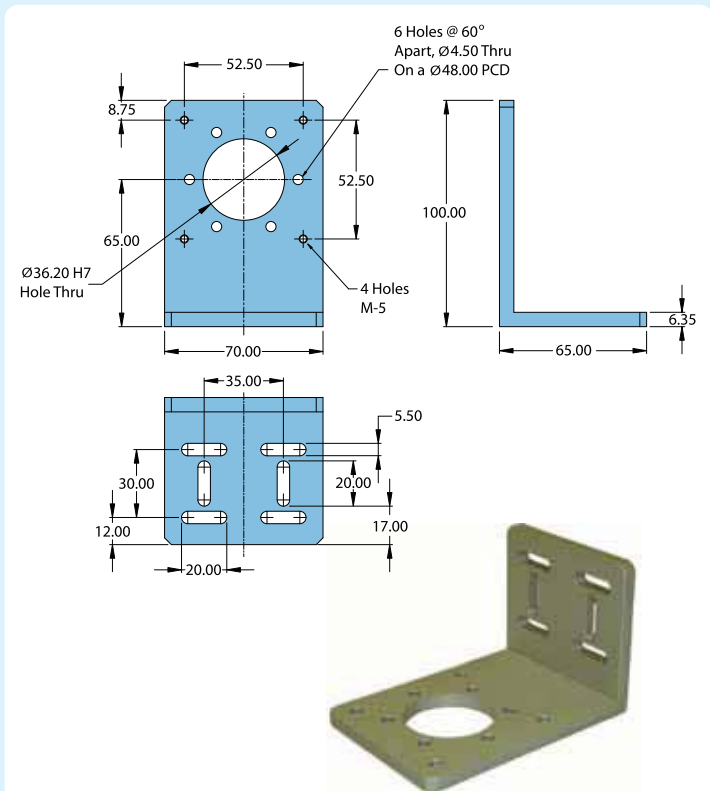
M-C 758/958-26 "L" Bracket



M-G 725 "L" Bracket



M-J 725/758-20 "L" Bracket



Fixed Brackets

Description	To Fit Encoder :-	Order Code
725/925 "L" Bracket	730, 725, 925	M-3
740 STD "L" Bracket	745 STD	M-4
758/958-20 "L" Bracket	758-20, 958-20	M-B
758/958-26 "L" Bracket	758-26, 958-26	M-C
725 "L" Bracket	730, 725, 925	M-G
725/758-20 "L" Bracket	730, 725, 925, 758-20	M-J
TR1 Mounting Bracket	TR1, Tru Trac	140104
Uni-Bracket	260, 702	175997-1

Hinged Brackets

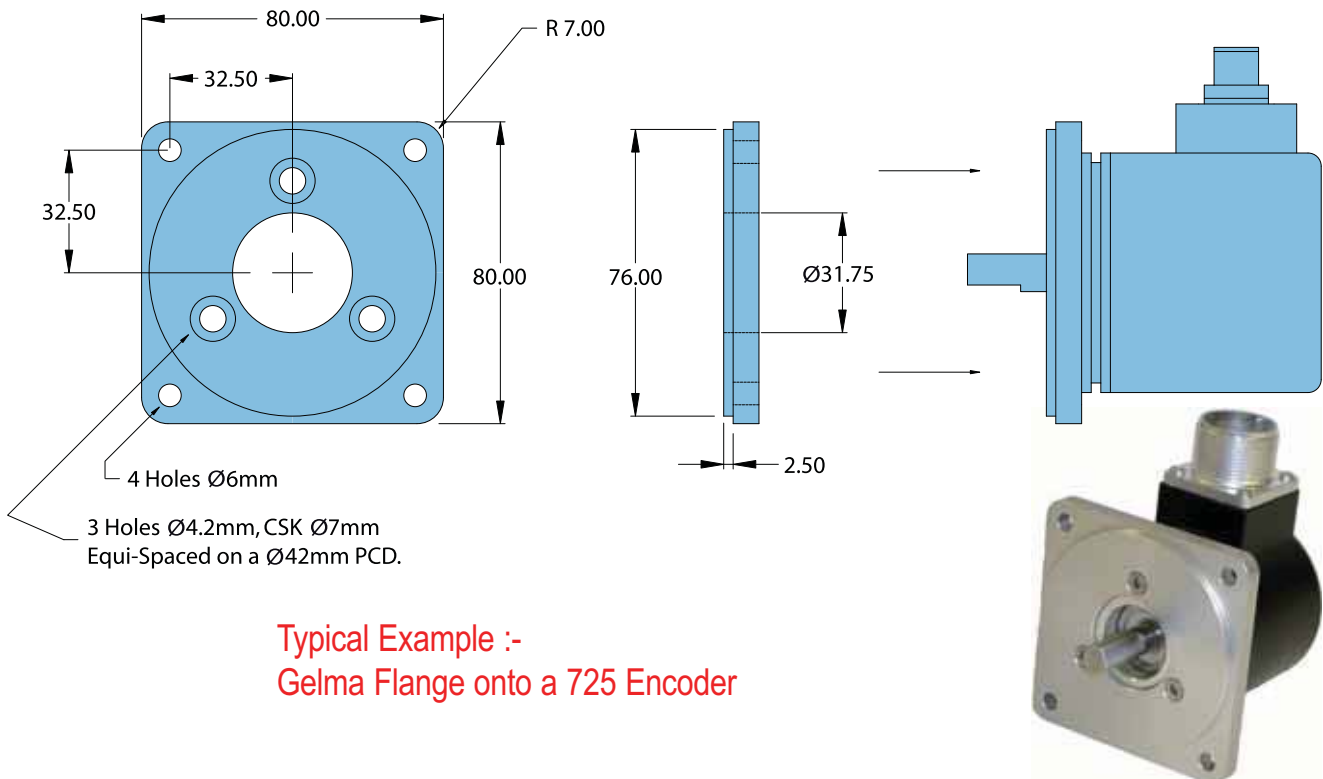
Description	To Fit Encoder :-	Order Code
Single Pivot Bracket	711, 716	140039
Double Pivot Bracket	711, 716	140040

Spring Loaded Brackets

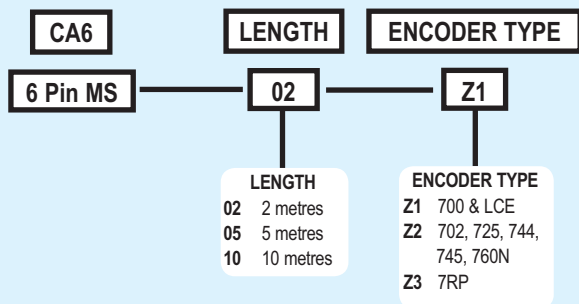
Description	To Fit Encoder :-	Order Code
Pivot Block	758-26, 958-26	M-F
Bracket Arm Assembly	730, 725, 925	M-H

Encoder Flanges

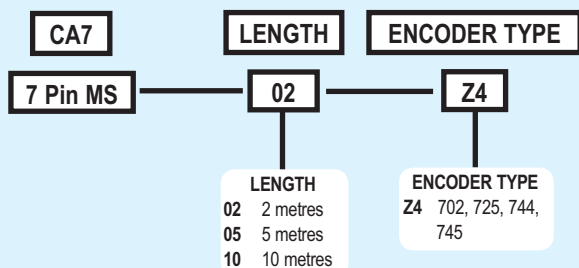
We offer a wide range of add-on flanges which convert the hole fixing patterns and dimensions of our standard encoders to that of various OEM and obsolete devices. Please call our applications engineers for further details.



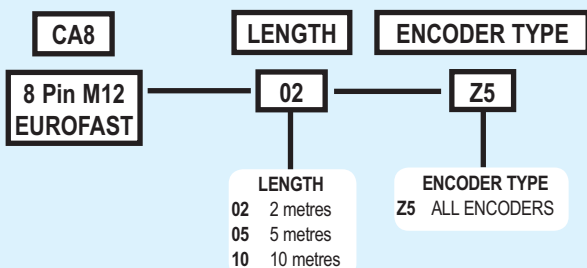
Accessories - Connectors/Cables



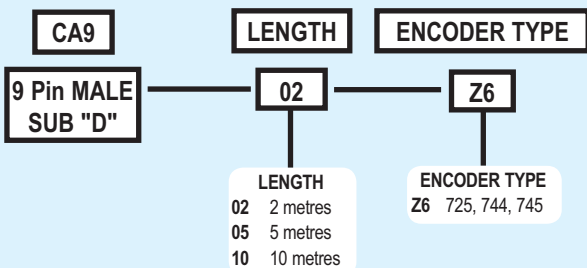
For Pin Detail & Wiring Colours please refer To the Correct Encoder Type Data Sheet



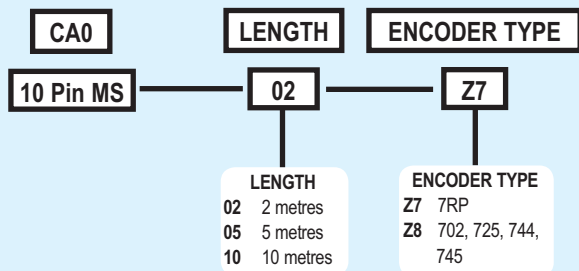
For Pin Detail & Wiring Colours please refer To the Correct Encoder Type Data Sheet



For Pin Detail & Wiring Colours please refer To the Correct Encoder Type Data Sheet

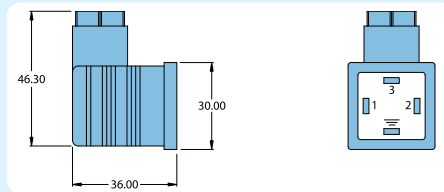


For Pin Detail & Wiring Colours please refer To the Correct Encoder Type Data Sheet

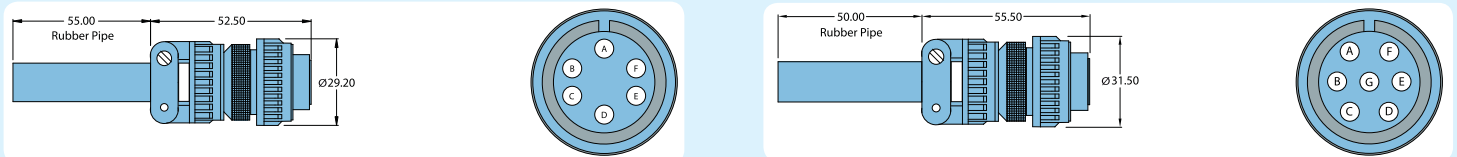


For Pin Detail & Wiring Colours please refer To the Correct Encoder Type Data Sheet

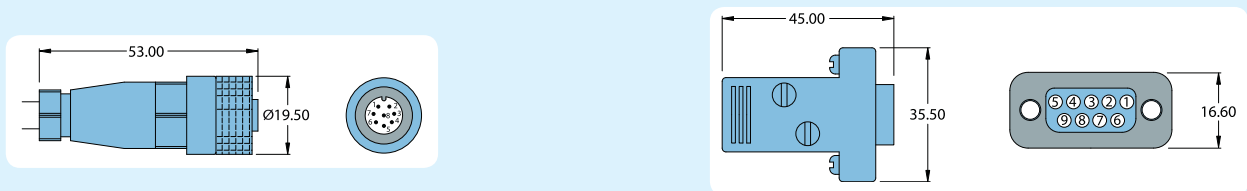
4 pin (C04) Hirschmann Connector & Front Face Pin-Out Information



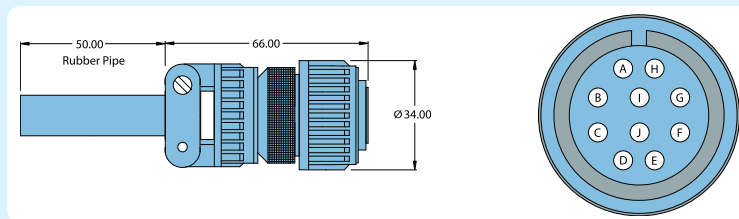
6 Pin & 7 Pin (C06 & C07) MS Connector & Front Face Pin-Out Information



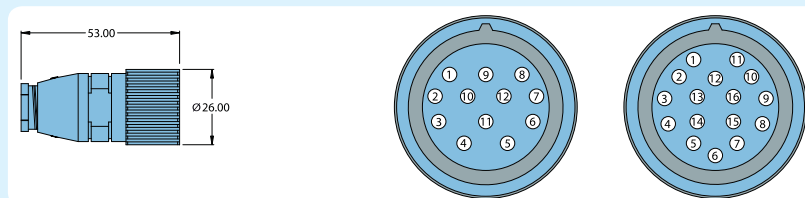
8 Pin (C08) M12 Eurofast Connector & 9 Pin "D" (C09) Connector (Female) & Front Face Pin-Out Information



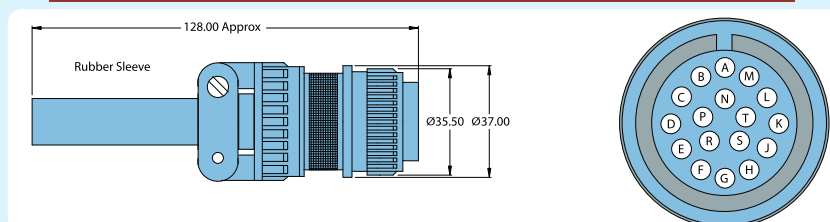
10 Pin (C10) MS Connector & Front Face Pin-Out Information



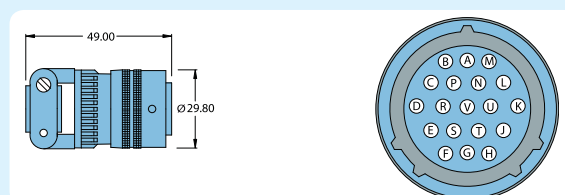
12 Pin (C12) and 16 pin (C16) MS Connector & Front Face Pin-Out Information



17 pin (C17) MS Connector & Front Face Pin-Out Information



19 pin (C19) MS Connector & Front Face Pin-Out Information



Accessories - Measuring Wheels



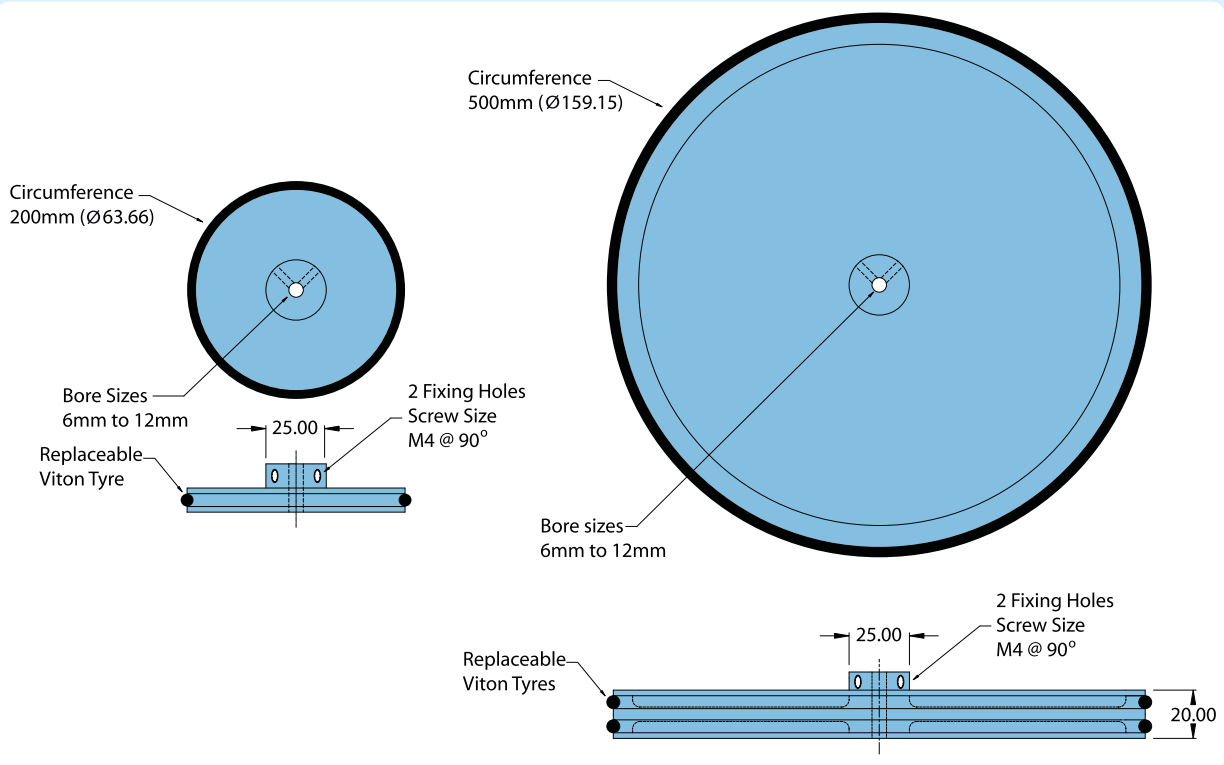
6mm Bore

10mm Bore

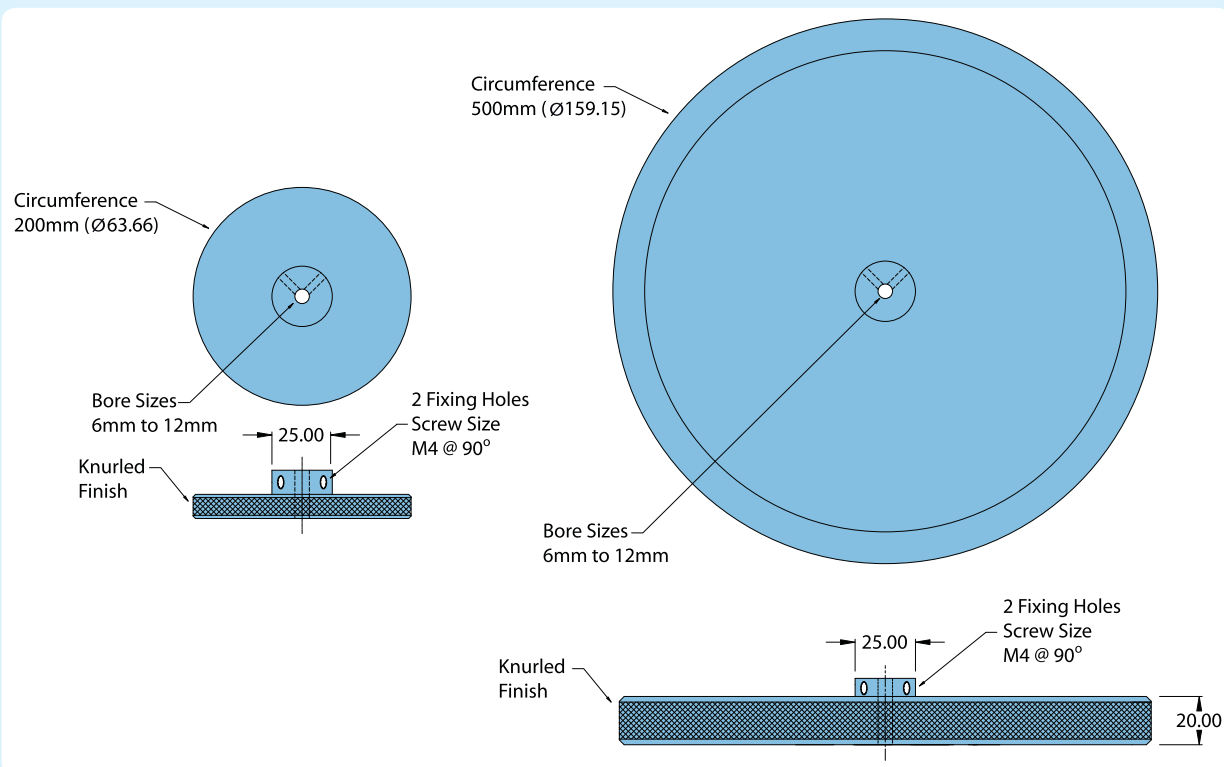
Wheel Type	Circumference	Order Code	Wheel Type	Circumference	Order Code
Rubber Tyre	200mm Circumference	MWB2RU-06	Rubber Tyre	200mm Circumference	MWB2RU-10
Rubber Tyre	300mm Circumference	MWB3RU-06	Rubber Tyre	300mm Circumference	MWB3RU-10
Rubber Tyre	400mm Circumference	MWB4RU-06	Rubber Tyre	400mm Circumference	MWB4RU-10
Rubber Tyre	500mm Circumference	MWB5RU-06	Rubber Tyre	500mm Circumference	MWB5RU-10
Rubber Tyre	6" Circumference	MWB06RU-06	Rubber Tyre	6" Circumference	MWB06RU-10
Rubber Tyre	12" Circumference	MWB12RU-06	Rubber Tyre	12" Circumference	MWB12RU-10
Rubber Tyre	333.3mm Circumference	MWB33RU-06	Rubber Tyre	333.3mm Circumference	MWB33RU-10
Knurled Aluminium	200mm Circumference	MWB2KN-06	Knurled Aluminium	200mm Circumference	MWB2KN-10
Knurled Aluminium	300mm Circumference	MWB3KN-06	Knurled Aluminium	300mm Circumference	MWB3KN-10
Knurled Aluminium	400mm Circumference	MWB4KN-06	Knurled Aluminium	400mm Circumference	MWB4KN-10
Knurled Aluminium	500mm Circumference	MWB5KN-06	Knurled Aluminium	500mm Circumference	MWB5KN-10
Knurled Aluminium	6" Circumference	MWB06KN-06	Knurled Aluminium	6" Circumference	MWB06KN-10
Knurled Aluminium	12" Circumference	MWB12KN-06	Knurled Aluminium	12" Circumference	MWB12KN-10
Knurled Aluminium	333.3mm Circumference	MWB33KN-06	Knurled Aluminium	333.3mm Circumference	MWB33KN-10

We also stock other sizes & types of wheels, and can customise bore sizes.
Please call the sales office for Price and delivery.

200mm (MWB2RU) and 500mm (MWB5RU) Rubber Viton Tyre Wheels - Diagram Illustrations



200mm (MWB2KN) and 500mm (MWB5KN) Knurled Finish Wheels - Diagram Illustrations

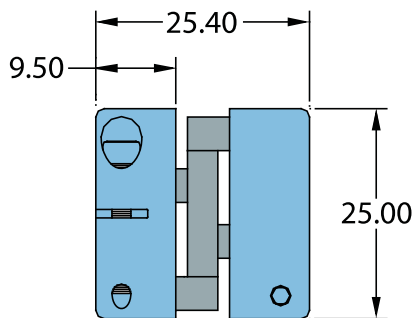


Accessories - Flexible Couplings

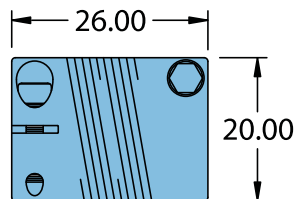


O.D.	Bore Sizes	Order Code
25.00 mm	12mm x 12mm	CPA/12/12
20.00 mm	10mm x 10mm	CPA/10/10
20.00 mm	10mm x 6mm	CPA/10/6
20.00 mm	6mm x 6mm	CPA/6/6
20.00 mm	.375 x .375 In	CPA/S/S
20.00 mm	.375 x .250 In	CPA/S/4
20.00 mm	.375 In x 6mm	CPA/S/6
20.00 mm	.250 x .250 In	CPA/4/4
25.00 mm	6mm x 6mm	CCF/6/6
25.00 mm	10mm x 10mm	CCF/10/10

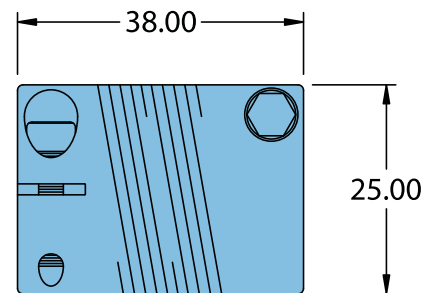
Non-Stock Bore sizes can be manufactured to customer requirements. Call sales office for price and delivery.



eg CCF/6/6 & CCF/10/10



eg CPA/6/6 & CPA/10/10



eg CPA/12/12