

# Receiver-Transmitter Unit Versatile Encoder Interface



**BRITISH  
ENCODER**  
PRODUCTS COMPANY



## Features

- DIN Rail Mountable
- Level Changes to 5V, 12V or Vcc
- Signal Conditioning
- 2 or 3 Way Splitter
- Encoder Tester

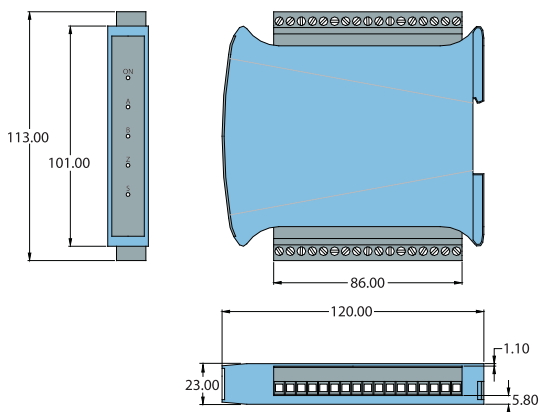
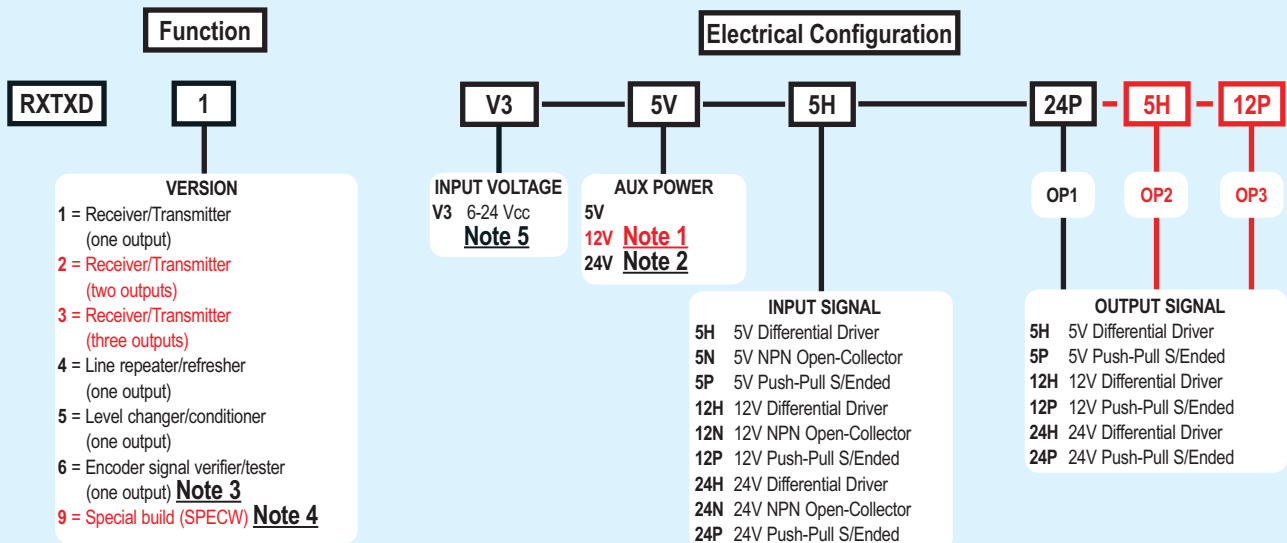
The next generation of RXTX! This lightweight DIN rail mountable unit comes in a stylish green PC/ABS self-extinguishing material blend. Configurable as a level changer, line repeater, splitter or encoder tester, the RXTXD will accept PP, HV or OC encoder inputs at 5-24V and provide up to 3 outputs in any combination of PP or HV at 5V, 12V or Vcc. A series of LEDs on the front panel indicates power and signal presence. Connections are made via the easily accessible screw terminals as standard with a screw-less terminal type available on request.

## Specifications

Input Voltage .....6V to 26V Max  
 Current Consumption .....250 mA Typical  
 Repeater Output Voltage.....5V, 12V or Vcc  
 Frequency Response .....Up to 800 Khz  
 Weight .....250g  
 Enclosure.....PC/ABS, IP20  
 Terminal.....Screw Type 30/12 AWG

## RXTX Ordering Guide

Red type indicates price adder options. Not all configuration combinations may be available. Contact Customer Service for details.



For specification assistance call Customer Service at +44 (0)1978 262100

### NOTES:

- 1 12V Minimum Input Voltage required.
- 2 Precisely 24V Input Voltage required.
- 3 To be used in series with encoder.
- 4 Contact technical sales for selection and assistance.
- 5 26V Maximum.
- 6 Aux power and output signal voltages are limited to the input voltage supplied.