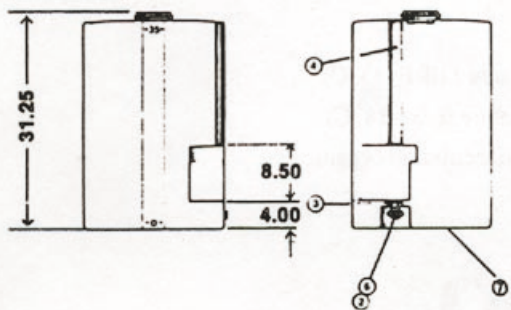
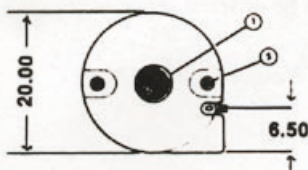


# Information Sheet

## Polyethylene Tank Assemblies

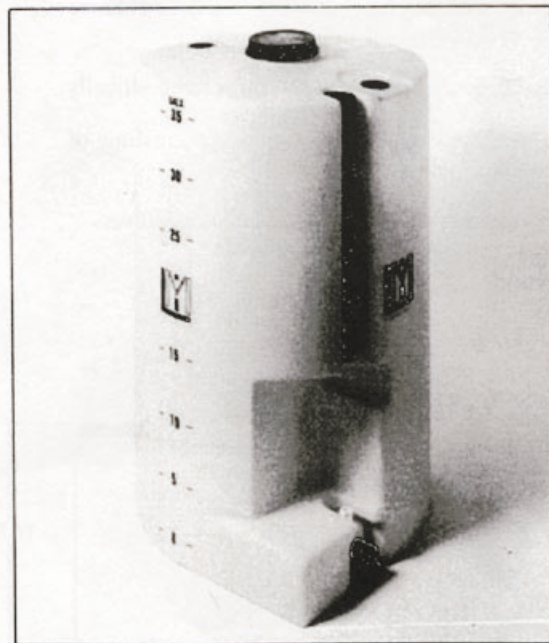
### NO. 27400 35 GALLON TANK ASSEMBLY

- Ultraviolet resistant, yellow polyethylene tank with recess for mounting of any LMI Series A, P, or J pump.
- Fitted for mounting of agitator and liquid level switch.
- Provides an economical, all-in-one flooded suction installation. Less to assemble, less to maintain.
- Shut off valve, discharge tubing retainer and large upper fill hole complete this unique design.
- 5 gallon graduations. 20 liter graduations.
- Suitable for most corrosive and non-corrosive solutions.



#### NOTES:

1. Full, flat bottom support required.
2. Maximum solution/ambient temperature 110° F (43° C).
3. Minimum solution/ambient temperature 0° F (-18° C).
4. Not suitable for use with slurries, concentrated organic solvents, oils and related materials.



Model No. 27400 Tank Assembly  
(Pump must be ordered separately.)

#### COMPONENT PARTS Model 27400 Tank Assembly

| Ref No. | Part No. | Description                | Qty |
|---------|----------|----------------------------|-----|
| 1       | 27039    | Capplug, PE, large         | 1   |
| 2       | 27300    | Valve, 1/4", PVC           | 1   |
| 3*      | 10482    | Fitting, 3/8", 1/4" NPT PP | 1   |
| 3*      | 27397    | Fitting, 1/4", 1/4" NPT PP |     |
| 4       | 27398-1  | Retainer, Tube             | 1   |
| 5       | 10346    | Capplug, PE, small         | 2   |
| 6       | 27401    | Nipple, 1/4" PVC           | 1   |
| 7       | 27325    | Tank, 35 Gallon PE         | 1   |
| 8       | 27903    | Velcro®                    | 2   |

Shipping Weight: 18 lbs (8.2 kg)

\*Two fittings are supplied with each tank assembly for connection to either 3/8" OD or 1/4" OD tubing.



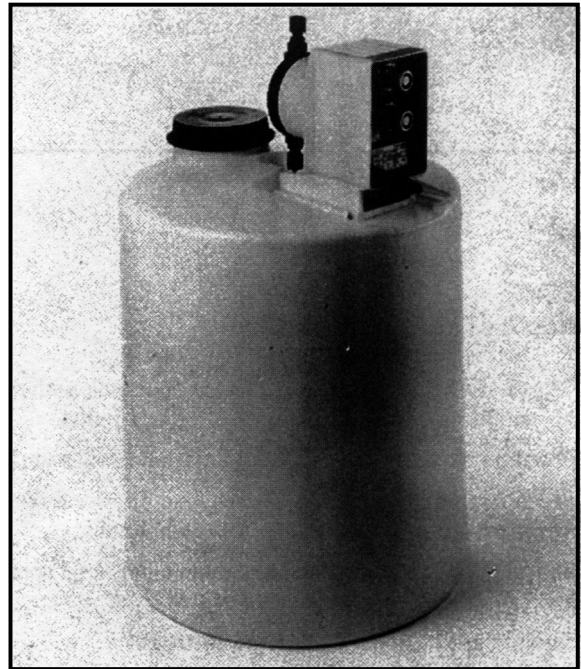
8 Post Office Square  
Acton, MA 01720 USA  
TEL: (978) 263-9800  
FAX: (978) 264-9172  
<http://www.lmipumps.com>



Replaces same of Rev. B 7/96  
1250.B 8/97

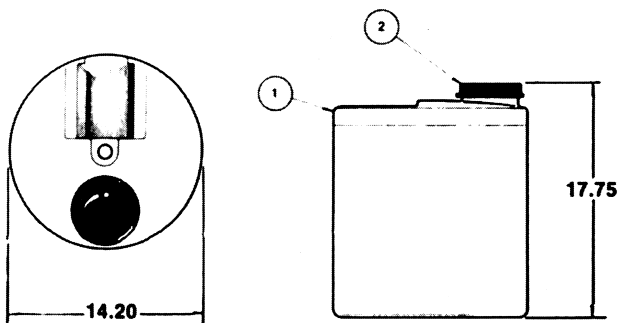
**NO. 27421  
10 GALLON TANK ASSEMBLY**

- Ultraviolet resistant, yellow polyethylene tank.
- Molded recesses for mounting of any LMI Series A, J, or P pump.
- Convenient and light weight, ships economically.
- Large fill hole at top allows easy replenishing of solution.
- Slightly translucent yet rugged design allows checking solution level at a glance.



**Model No. 27421 Tank Assembly**  
(Pump must be ordered separately.)

Shipping Weight: 7 lbs (3.2 kg)



**NOTES:**

1. Full, flat bottom support required.
2. Maximum solution/ambient temperature 110° F (43° C).
3. Minimum solution/ambient temperature 0° F (-18° C).
4. Not suitable for use with slurries, concentrated organic solvents, oils and related materials.



**AGITATOR  
NO. 27591**

115 VAC, 50/60 Hz, 1.5 amp, 175 watts,  
1/20 HP. 27" S.S. shaft with S.S. impeller  
and resistant coating.



**LIQUID LEVEL SWITCH  
NO. 27417**

115 VAC, 50/60 Hz, max load: 3 amps. Glass  
fiber reinforced polypropylene housing.  
Polypropylene float. Connections for pump and  
low-level signal device.