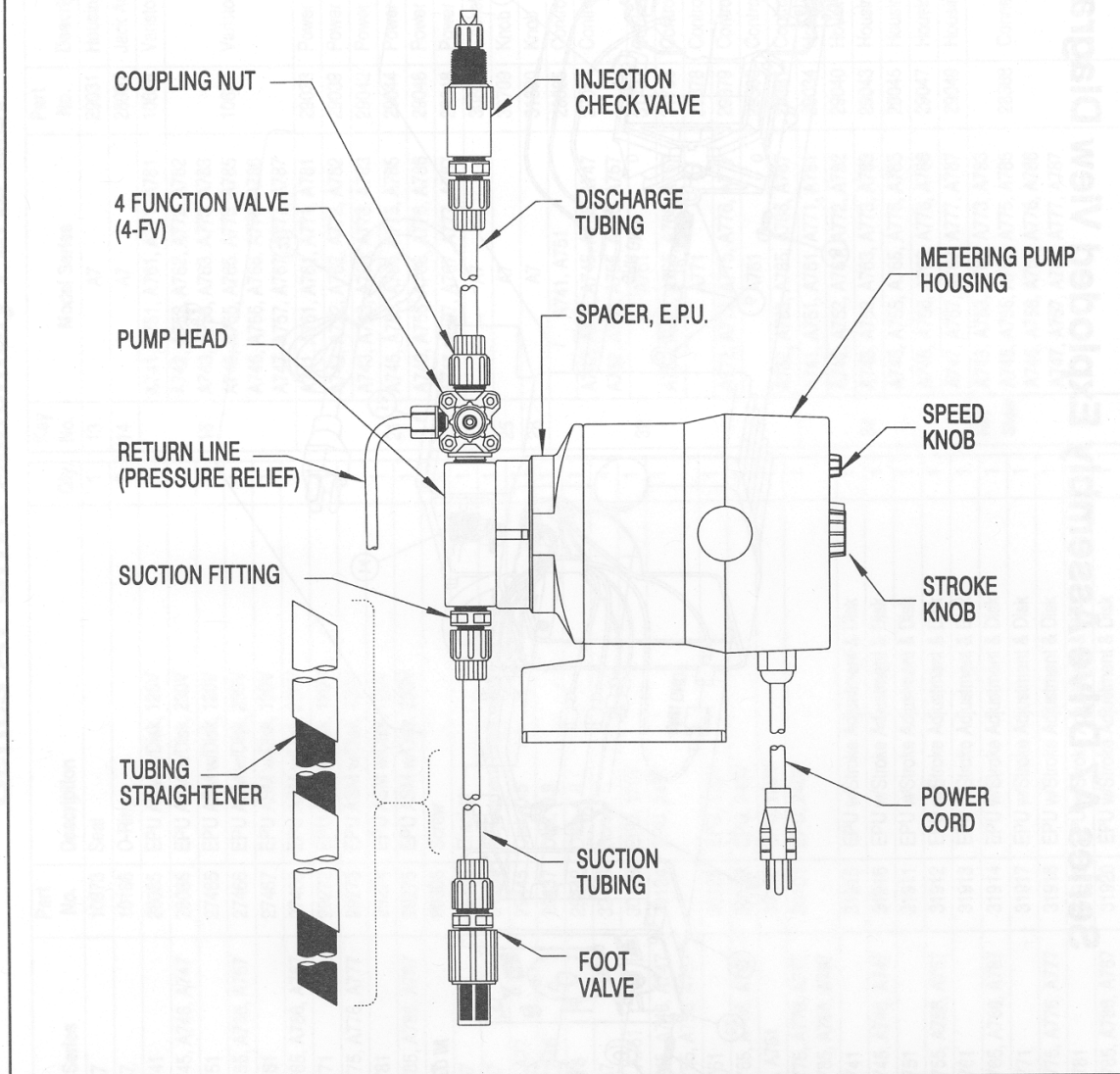


Series A7 Instruction Supplement

- Metering Pump Component Diagram
- Drive Assembly Exploded View Diagram
- Drive Assembly Parts List
- Control Panel Detail
- Wiring Diagram

Metering Pump Component Diagram

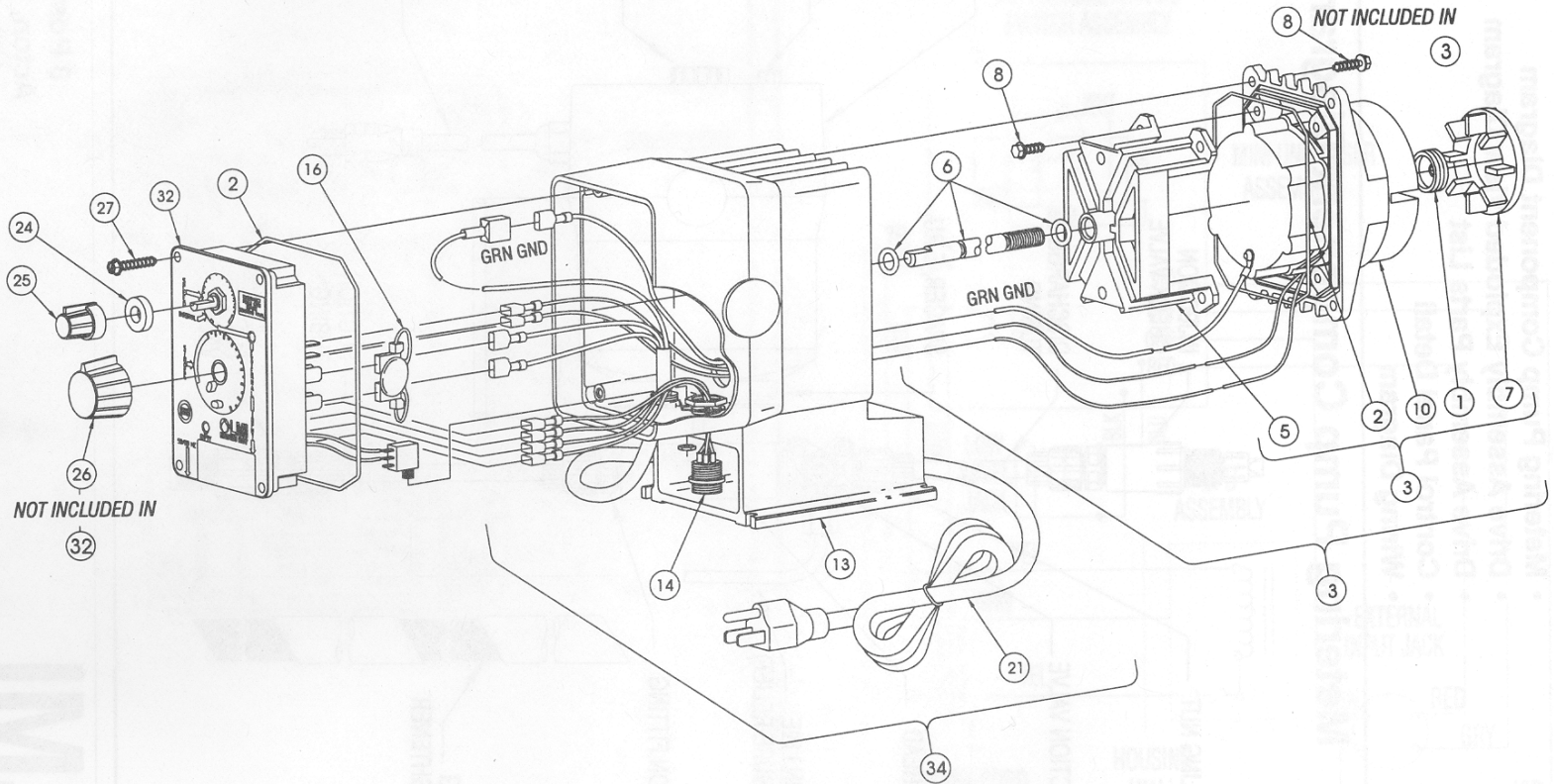


ISO9001 Certified • a unit of Sundstrand Corporation

8 Post Office Square
Acton, MA 01720 USA
TEL: (508) 263-9800
FAX: (508) 264-9172

Replaces same of Rev.C 7/94
1633.D 9/96

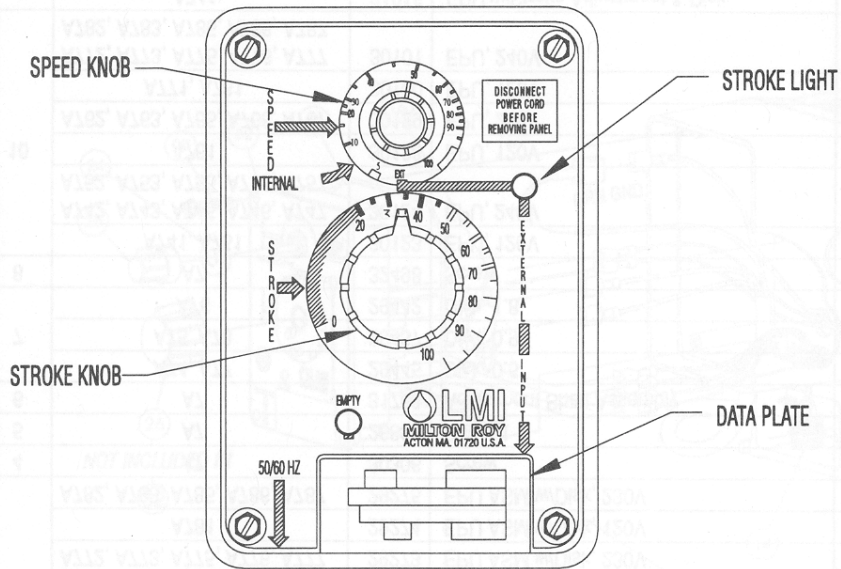
Series A7 Drive Assembly Exploded View Diagram



Series A7 Drive Assembly Parts List

Key No.	Model Series	Part No.	Description	Qty.	Key No.	Model Series	Part No.	Description	Qty.	
1	A7	10973	Seal	1	13	A7	29031	Housing	1	
2	A7	10166	O-Ring	2	14	A7	28907	Jack Assembly	1	
3	A741	28085	EPU ASM w/Disk, 120V	1	16	A741, A751, A761, A771, A781	10626	Varistor Asm 120V	1	
	A742, A743, A745, A746, A747	28086	EPU ASM w/Disk, 230V	1		10627	A742, A752, A762, A772, A782		Varistor Asm 240V	1
	A751	27465	EPU ASM w/Disk, 120V	1						
	A752, A753, A755, A756, A757	27466	EPU ASM w/Disk, 230V	1						
	A761	27467	EPU ASM w/Disk, 120V	1						
	A762, A763, A765, A766, A767	27468	EPU ASM w/Disk, 230V	1						
	A771	29272	EPU ASM w/Disk, 120V	1	21	A741, A751, A761, A771, A781	29033	Power Cord Asm, 120V	1	
	A772, A773, A775, A776, A777	29273	EPU ASM w/Disk, 230V	1		A742, A752, A762, A772, A782	29039	Power Cord Asm, 240V	1	
	A781	29274	EPU ASM w/Disk, 120V	1		A743, A753, A763, A773, A783	29042	Power Cord Asm, 220-240V, DIN	1	
A782, A783, A785, A786, A787	29275	EPU ASM w/Disk, 230V	1	A745, A755, A765, A775, A785		29044	Power Cord Asm, 200-240V, UK	1		
4	A7	30306	Screw	8		A746, A756, A766, A776, A786	29046	Power Cord Asm, 200-240V, AUST	1	
5	A7	26838	Bracket	1		A747, A757, A767, A777, A787	29048	Power Cord Asm, 200-240V, SWISS	1	
6	A7	31768	Adjustment Shaft Assembly	1	24	A7	30803	Gasket	1	
7	A74, A77	29445	Disk, 0.5	1	25	A7	30709	Knob	1	
	A75, A78	29437	Disk, 0.9	1	26	A7	31890	Knob	1	
	A76	29442	Disk, 1.8	1	32	A741, A751	29035	Control Panel Assembly, 120V	1	
8	A7	32498	Screw	4		A742, A743, A745, A746, A747	29041	Control Panel Assembly, 240V	1	
10	A741, A751	30123	EPU, 120V	1		A752, A753, A755, A756, A757	31737	Control Panel Assembly, 120V		
	A742, A743, A745, A746, A747	30124	EPU, 240V	1		A761				
	A752, A753, A755, A756, A757	30128	EPU, 120V	1		A762, A763, A765, A766, A767	31738	Control Panel Assembly, 240V		
	A761					29378	Control Panel Assembly, 120V	1		
	A762, A763, A765, A766, A767								A771	
	A771, A781	30100	EPU, 120V	1		A772, A773, A775, A776, A777	29379	Control Panel Assembly, 240V	1	
	A772, A773, A775, A776, A777	30101	EPU, 240V	1		A781	29380	Control Panel Assembly, 120V	1	
A782, A783, A785, A786, A787	A782, A783, A785, A786, A787					29381	Control Panel Assembly, 240V	1		
12	A741	31915	EPU w/Stroke Adjustment & Disk	1	34	A741, A751, A761, A771, A781	29034	Housing Assembly, 120V	1	
	A742, A743, A745, A746, A747	31916	EPU w/Stroke Adjustment & Disk	1		A742, A752, A761, A772, A782	29040	Housing Assembly, 240V	1	
	A751	31911	EPU w/Stroke Adjustment & Disk	1		A743, A753, A763, A773, A783	29043	Housing Assembly, 240V	1	
	A752, A753, A755, A756, A757	31912	EPU w/Stroke Adjustment & Disk	1		A745, A755, A765, A775, A785	29045	Housing Assembly, 240V	1	
	A761	31913	EPU w/Stroke Adjustment & Disk	1		A746, A756, A766, A776, A786	29047	Housing Assembly, 240V	1	
	A762, A763, A765, A766, A767	31914	EPU w/Stroke Adjustment & Disk	1		A747, A757, A767, A777, A787	29049	Housing Assembly, 240V	1	
	A771	31917	EPU w/Stroke Adjustment & Disk	1	Not Shown	A743, A753, A763, A773, A783	28368	Connector with Wires	1	
	A772, A773, A775, A776, A777	31918	EPU w/Stroke Adjustment & Disk	1	A745, A755, A765, A775, A785					
	A781	31919	EPU w/Stroke Adjustment & Disk	1	A746, A756, A766, A776, A786					
	A782, A783, A785, A786, A787	31920	EPU w/Stroke Adjustment & Disk	1	A747, A757, A767, A777, A787					

Series A7 Control Panel Detail



Series A7 Wiring Diagram

